



Sample image

## Datasheet

**Article number:** 70010579

**Designation:** KG64B.T103/01.E

**Description:** Switch Global Disconnecter

<b>IEC 60947-3 EN 60947-3, VDE 0660 Teil 107</b>						
<b>Rated insulation voltage Ui</b>						
			Voltage (V) AC / DC			
			690 AC			
<b>Rated uninterrupted current Iu/Ith</b>						
Current (A)	Ambient temperature (°C)	Peak temperature (°C)	additional requirements			
63	50	55	Ambient temperature +50°C during 24 hours with peaks up to +55°C			
<b>Rated operational current Ie</b>						
Utilization category			Voltage (V)		Current (A)	
AC-32A			20 - 400		63	
<b>Rated operational power</b>						
Utilization category	Voltage (V)	No. of phases	No. of poles	Power (kW)		
AC-3	220 - 240	3	3	11		
AC-3	380 - 440	3	3	18,50		
AC-3	660 - 690	3	3	15		
AC-23A	220 - 240	3	3	11		
AC-23A	380 - 440	3	3	22		
AC-23A	660 - 690	3	3	18,50		
<b>Max. Fuse rating IEC</b>						
Fuse characteristic			No. of Fuses		Current (A)	
gG			1		63	
<b>UL60947-4-1, UL508</b>						
<b>Nominal Voltage</b>						
			Voltage (V) AC / DC			
			600 AC			
<b>Rated insulation voltage Ui</b>						
			Voltage (V) AC / DC			
			600 AC			
<b>Rated thermal current</b>						
		Current (A)	Ambient temperature (°C)		Additional Text	
		60	0 - 40		-	
<b>Horsepower rating</b>						
<i>Across-the-Line Motor Starting</i>		Voltage (V)	No. of phases	No. of poles	Power (HP)	Ambient temperature [°C]
DOL		110 - 120	1	2	3	40
DOL		220 - 240	1	2	7,50	40
DOL		277 - 277	1	2	7,50	40
DOL		415 - 415	1	2	10	40
DOL		440 - 480	1	2	15	40
DOL		550 - 600	1	2	15	40
DOL		110 - 120	3	3	5	40
DOL		220 - 240	3	3	15	40
DOL		415 - 415	3	3	20	40
DOL		440 - 480	3	3	30	40
DOL		550 - 600	3	3	40	40
<b>SCCR / Max. fuse rating</b>						
<i>Conditions of acceptability</i>						
This device is suitable for use on circuits capable of delivering not more than 10kA rms symmetrical amperes, 600V ac max. when protected by Type RK1 fuses.						
Suitable for use on a circuit capable of delivering not more than 65000 rms symmetrical amperes 600V max., when protected by 70A Class J fuses.						
<b>Temp. rating of wire</b>						
			Temperature rating (°C)	Current (A) Text		
			60 - 75	-- --		
<b>General Use</b>						
AC / DC	Voltage (V)	Current (A)	No. of phases	No. of poles	No. of contacts in series	
AC	277	60	1	1	1	
AC	600	60	1	2	1	
AC	600	60	3	3	1	
<b>General Information</b>						
<i>Text</i>						
- The operating handle and position indicating means to be used with these manual motor controllers should be provided from the manufacturer, or the operating handle and position indicating means to be used should have been previously evaluated in combination with the manual motor controllers.						

<b>General Information</b>						
<i>Text</i>						
- When intended for use as a motor disconnecter the device shall be provided with a method of being locked in the OFF-position.						
<b>CSA</b>						
<b>Nominal Voltage</b>						
Voltage (V) AC / DC 600 AC						
<b>Rated insulation voltage Ui</b>						
Voltage (V) AC / DC 600 AC						
<b>Rated thermal current</b>						
Current (A) Ambient temperature (°C) Additional Text 60 0 - 40 -						
<b>Horsepower rating</b>						
<i>Across-the-Line Motor Starting</i>						
	Voltage (V)	No. of phases	No. of poles	Power (HP)	Ambient temperature [°C]	
DOL	110 - 120	1	2	3	40	
DOL	220 - 240	1	2	7,50	40	
DOL	277 - 277	1	2	7,50	40	
DOL	415 - 415	1	2	10	40	
DOL	440 - 480	1	2	15	40	
DOL	110 - 120	3	3	5	40	
DOL	220 - 240	3	3	15	40	
DOL	415 - 415	3	3	20	40	
DOL	440 - 480	3	3	30	40	
DOL	550 - 600	3	3	40	40	
<b>Temp. rating of wire</b>						
Temperature rating (°C) Current (A) Text 75 -- --						
<b>General Use</b>						
AC / DC	Voltage (V)	Current (A)	No. of phases	No. of poles	No. of contacts in series	
AC	277	60	1	1	1	
AC	600	60	1	2	1	
AC	600	60	3	3	1	
<b>GENERAL TECHNICAL INFORMATION</b>						
<b>Size of conductor</b>						
composition of conductor	Min. / Max. value	No. of conductor per terminal	Cross section (mm <sup>2</sup> ) or (AWG/kcmil)		Material of the wire	
Flexible wire	Max.		1	AWG 6	Copper	
Flexible wire	Max.		1	10mm <sup>2</sup>	Copper	
Single-core or stranded wire	Max.		1	AWG 6	Copper	
Single-core or stranded wire	Max.		1	16mm <sup>2</sup>	Copper	
Flexible wire with sleeve	Max.		1	10mm <sup>2</sup>	Copper	
<b>Stripping length</b>						
Length (mm) --						
						
<b>Recommended screw driver</b>						
Type of screw driver	Value					
Cross Screwdriver	PH2					
Slot screwdriver according to DIN 5264	1,2x6,5					
<b>Tightening torque of screws</b>						
tightening torque (Nm) tightening torque (lb-in) 1,80 16						
<b>Approbations</b>						
Specification						Marking
EAC						
CE marking						
UK Directives						
CSA C.22.2 No.14						
GB/T14048.3						
<b>General Information</b>						
<i>Text</i>						
- Use only copper wires with or without tinned/silver-plated individual wires. Soldering the end of the wire before wiring is not allowed.						
- EMC Note: This device is suitable for use in environment A and B.						
- Terminals with factory fitted jumper links are tightened during production. When opening the terminal clamps, make sure that no factory fitted links get lost and that all wire connections are properly seated.						
- After wiring, ALL terminal screws must be tightened to the specified torque values.						
- The protection class of the selected mounting type may vary if optional extras are used.						
- Do not lubricate or treat contacts.						


### General Information

#### Text

- Switches may only be mounted, connected and set into operation by qualified persons according to the accepted rules of technology.


### Waste Electrical & Electronic Equipment (WEEE)

Picture name Description

 Do not throw in the trash as care must be taken to ensure environmentally sound disposal and recycling. Please either use an environmentally friendly waste disposal company, return to the supplier for disposal, or return direct to the manufacturer, Kraus & Naimer. You can find local Kraus & Naimer offices at [www.krausnaimer.com](http://www.krausnaimer.com)

### Proposition 65

Picture name Description

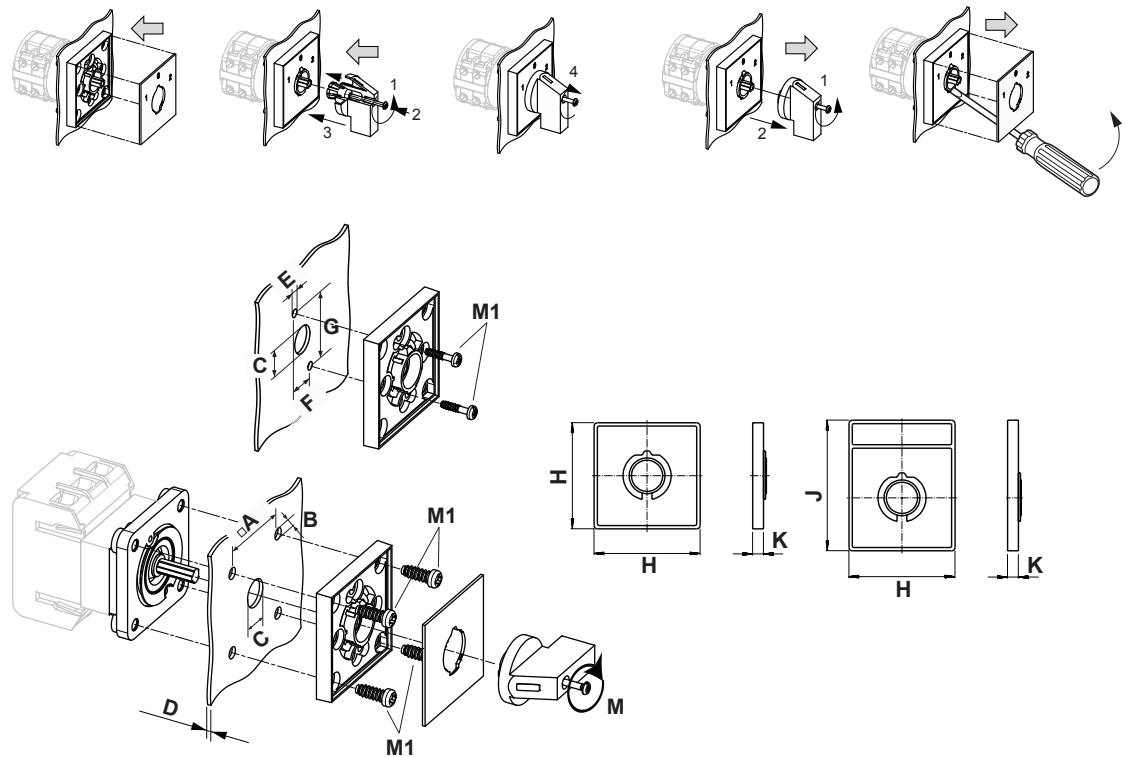
 WARNING: This product can expose you to chemicals including nickel and lead, which is known to the State of California to cause cancer. For more information go to [www.P65Warnings.ca.gov](http://www.P65Warnings.ca.gov).

Classification Contact: Rigid contact bridge

Classification Contact Mat: Silver

Classification Terminal: Screw terminal

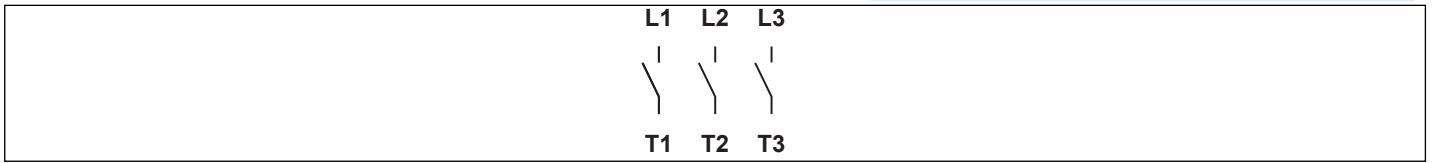
### Mounting-E



IP - Code front side	IP66, IP67
Stages	1,00 - 12,00
A	□ 48,00 mm
B	∅ 5,00 mm
C	∅ 10,00 - 15,00 mm
D	H ≤ 4,00 mm
E	∅ 3,50 mm
F	H 12,20 mm
G	H 30,00 mm
H	H 64,00 mm
J	H 78,00 mm
K	H 7,40 mm
M	⌀ 0,70 Nm
M1	⌀ 0,90 Nm

## Wiring diagram

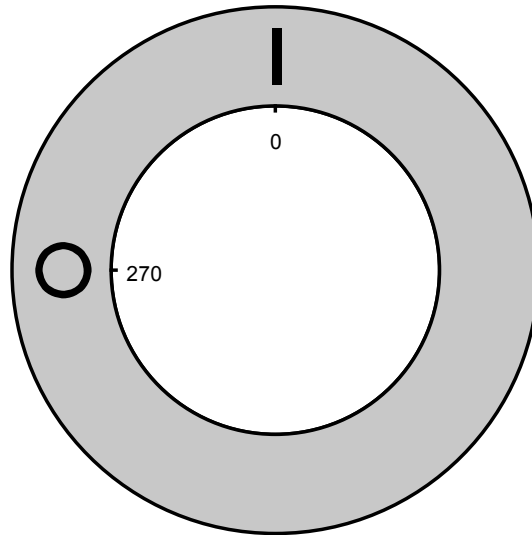
KG64B.T303.E

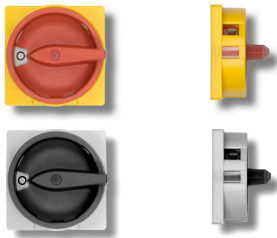




**Face plate**

S1.F456/C10.V11H





Sample image

## PADLOCK DEVICE

with F-handle ring

**Designation:** S1.V840G/A71/A2

**Colour of F-handle ring:** "A" black

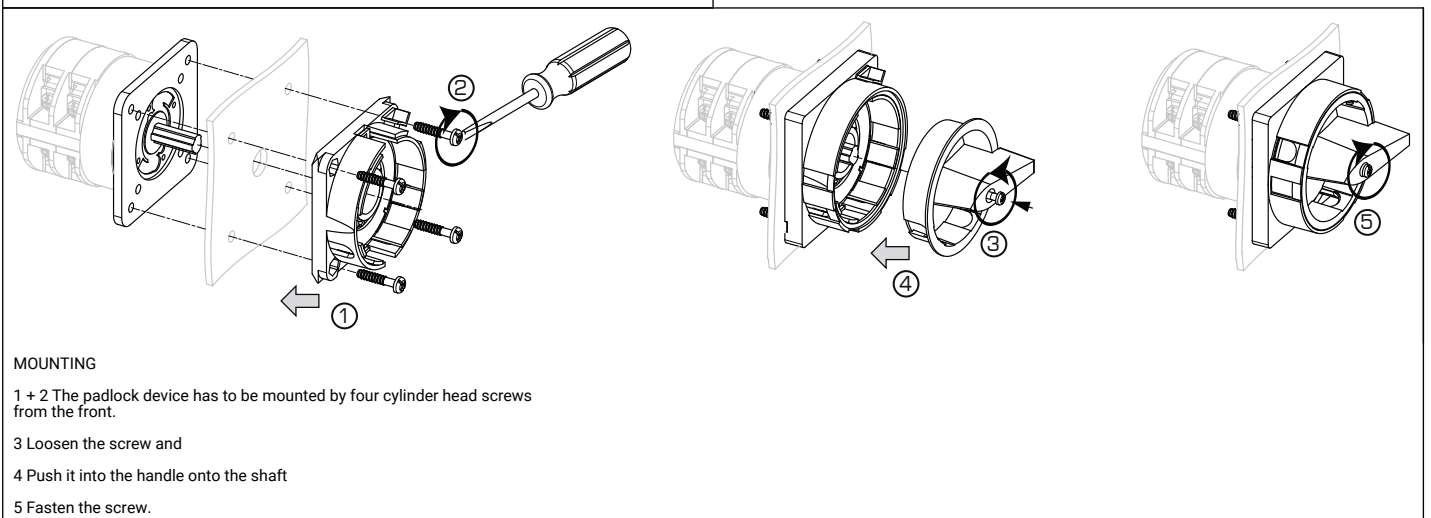
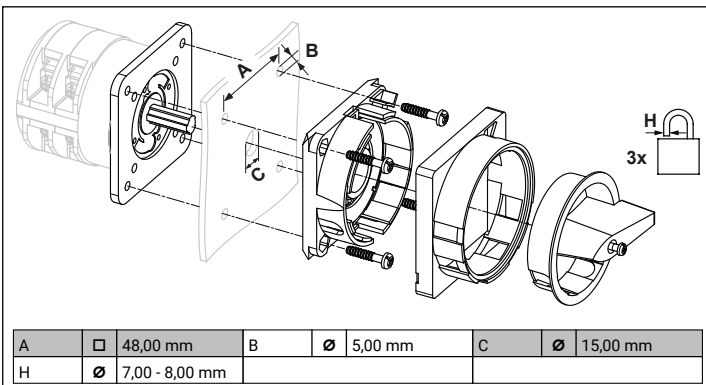
**Colour of face ring:** "7" electro-grey

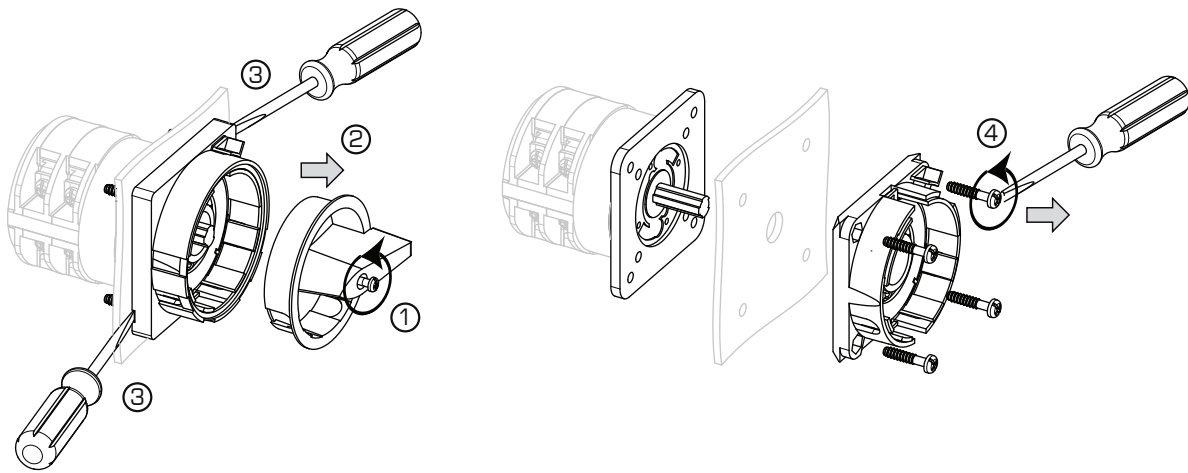
**Locking position:** "1" at 270° (1x90°)

**Type of mounting:** "A" for type of mounting GK (Rose)

**Type of mounting:** "A" for type of mounting E

**Switch type:** "2" for KA-, KG- and KH(R)-switches





1 Loose handle screw

2 remove handle.

3 Insert a proper auxiliary tool at those points of the frame of the device which are marked by a screw driver on the drawing and remove the frame.

4 Fixing screws can be loosen now.