

Sample image





Datasheet

Article number: 70010153


Designation: KG20B.T203/09.VE

Description: Switch Global Disconnecter

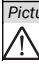
IEC 60947-3 EN 60947-3, VDE 0660 Teil 107						
Rated insulation voltage Ui						
			Voltage (V) AC / DC			
			690 AC			
Rated uninterrupted current Iu/Ith						
Current (A)	Ambient temperature (°C)	Peak temperature (°C)	additional requirements			
25	50	55	Ambient temperature +50°C during 24 hours with peaks up to +55°C			
Rated operational current Ie						
Utilization category			Voltage (V)		Current (A)	
AC-32A			20 - 400		20	
Rated operational power						
Utilization category	Voltage (V)	No. of phases	No. of poles	Power (kW)		
AC-3	220 - 240	3	3	4		
AC-3	380 - 440	3	3	5,50		
AC-3	660 - 690	3	3	5,50		
AC-23A	220 - 240	3	3	5,50		
AC-23A	380 - 440	3	3	7,50		
AC-23A	660 - 690	3	3	7,50		
Max. Fuse rating IEC						
Fuse characteristic			No. of Fuses		Current (A)	
gG			1		35	
UL60947-4-1, UL508						
Nominal Voltage						
			Voltage (V) AC / DC			
			600 AC			
Rated insulation voltage Ui						
			Voltage (V) AC / DC			
			600 AC			
Rated thermal current						
		Current (A)	Ambient temperature (°C)		Additional Text	
		25	0 - 40		-	
Horsepower rating						
Across-the-Line Motor Starting		Voltage (V)	No. of phases	No. of poles	Power (HP)	Ambient temperature [°C]
DOL		110 - 120	1	2	1	40
DOL		220 - 240	1	2	3	40
DOL		277 - 277	1	2	3	40
DOL		415 - 415	1	2	5	40
DOL		440 - 480	1	2	5	40
DOL		550 - 600	1	2	5	40
DOL		110 - 120	3	3	2	40
DOL		200 - 240	3	3	7,50	40
DOL		415 - 415	3	3	10	40
DOL		440 - 480	3	3	15	40
DOL		550 - 600	3	3	20	40
Pilot duty rating code						
Duty Code						
A600						
SCCR / Max. fuse rating						
Conditions of acceptability						
This device is suitable for use on circuits capable of delivering not more than 10kA rms symmetrical amperes, 600V ac max. when protected by Type RK1 fuses.						
Suitable for use on a circuit capable of delivering not more than 65000 rms symmetrical amperes at 600V max., when protected by 40A Class J fuses.						
Temp. rating of wire						
			Temperature rating (°C)	Current (A) Text		
			60 - 75	-- --		
General Use						
AC / DC	Voltage (V)	Current (A)	No. of phases	No. of poles	No. of contacts in series	
AC	277	25	1	1	1	
AC	600	25	1	2	1	
AC	600	25	3	3	1	
General Information						
Text						
- The operating handle and position indicating means to be used with these manual motor controllers should be provided from the manufacturer, or the operating handle and position indicating means to be used should have been previously evaluated in combination with the manual motor controllers.						

General Information						
<i>Text</i>						
- When intended for use as a motor disconnecter the device shall be provided with a method of being locked in the OFF-position.						
CSA						
Nominal Voltage						
Voltage (V) AC / DC 600 AC						
Rated insulation voltage Ui						
Voltage (V) AC / DC 600 AC						
Rated thermal current						
Current (A)		Ambient temperature (°C)		Additional Text		
25		0 - 40		-		
Horsepower rating						
<i>Across-the-Line Motor Starting</i>						
	Voltage (V)	No. of phases	No. of poles	Power (HP)	Ambient temperature [°C]	
DOL	110 - 120	1	2	1	40	
DOL	220 - 240	1	2	3	40	
DOL	277 - 277	1	2	3	40	
DOL	415 - 415	1	2	5	40	
DOL	440 - 480	1	2	5	40	
DOL	550 - 600	1	2	5	40	
DOL	110 - 120	3	3	2	40	
DOL	220 - 240	3	3	7,50	40	
DOL	415 - 415	3	3	10	40	
DOL	440 - 480	3	3	15	40	
DOL	550 - 600	3	3	20	40	
Pilot duty rating code						
<i>Duty Code</i>						
A600						
Temp. rating of wire						
Temperature rating (°C)			Current (A) Text			
75			-- --			
General Use						
AC / DC	Voltage (V)	Current (A)	No. of phases	No. of poles	No. of contacts in series	
AC	277	25	1	1	1	
AC	600	25	1	2	1	
AC	600	25	3	3	1	
GENERAL TECHNICAL INFORMATION						
Size of conductor						
<i>composition of conductor</i>	<i>Min. / Max. value</i>	<i>No. of conductor per terminal</i>		<i>Cross section (mm²) or (AWG/kcmil)</i>	<i>Material of the wire</i>	
Flexible wire	Max.	1		AWG 10	Copper	
Flexible wire	Max.	1		4mm ²	Copper	
Single-core or stranded wire	Max.	1		6mm ²	Copper	
Single-core or stranded wire	Max.	1		AWG 10	Copper	
Flexible wire with sleeve	Max.	1		4mm ²	Copper	
Stripping length						
Length (mm) --						
						
Recommended screw driver						
<i>Type of screw driver</i>				<i>Value</i>		
Cross Screwdriver				PH2		
Slot screwdriver according to DIN 5264				0,8x4		
Tightening torque of screws						
				tightening torque (Nm)		tightening torque (lb-in)
				1,25		11
Approbations						
<i>Specification</i>						<i>Marking</i>
CE marking						
UK Directives						
CSA C.22.2 No.14						
General Information						
<i>Text</i>						
- Alleen koperleidingen met of zonder vertinde/verzilverde draden (per draad) gebruiken. Het nadien vertinnen van de uiteinden is niet toegestaan.						
- EMC Note: This device is suitable for use in environment A and B.						
- Terminals with factory fitted jumper links are tightened during production for loss prevention. When opening the terminal clamps, make sure that no factory fitted links get lost and that all wire connections are properly seated.						
- After wiring, ALL terminal screws must be tightened to the specified torque values.						
- Het gebruik van een extra apparaat kan de beschermingsklasse van de gekozen bouwvorm beïnvloeden.						
- Do not lubricate or treat contacts.						
- Switches may only be mounted, connected and set into operation by qualified persons according to the accepted rules of technology.						

Waste Electrical & Electronic Equipment (WEEE)

Picture name	Description
	Do not throw in the trash as care must be taken to ensure environmentally sound disposal and recycling. Please either use an environmentally friendly waste disposal company; return to the supplier for disposal; or return direct to the manufacturer, Kraus & Naimer. You can find local Kraus & Naimer offices at www.krausnaimer.com

Proposition 65

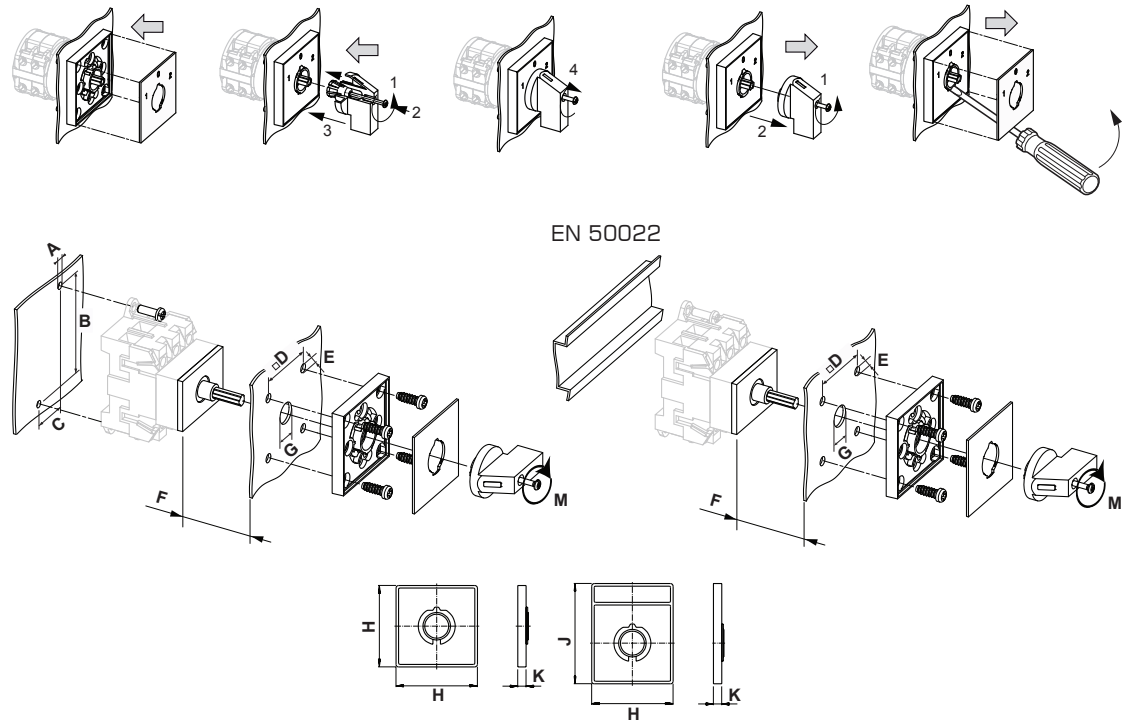
Picture name	Description
	WARNING: This product can expose you to chemicals including nickel and lead, which is known to the State of California to cause cancer. For more information go to www.P65Warnings.ca.gov .

Classification Contact: Rigid contact bridge

Classification Contact Mat: Silver

Classification Terminal: Screw terminal

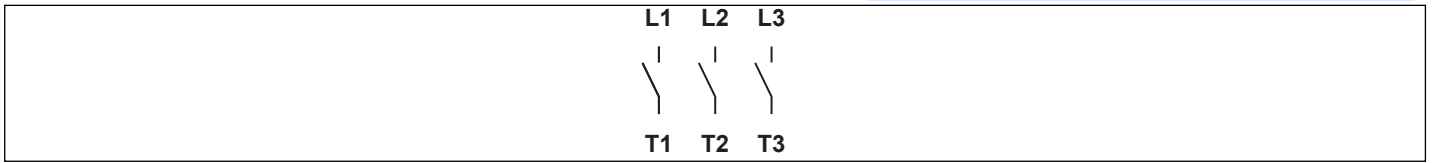
Mounting-VE



IP - Code front side	IP40
Stages	1,00 - 5,00
A	∅ 4,10 mm
B	H 60,00 mm
B_tol.	H ± 0,50 mm
C	H 22,50 mm
C_tol.	H ± 0,50 mm
D	□ 48,00 mm
E	∅ 5,00 mm
F	H ≤ 13,50 mm
G	∅ 10,00 - 15,00 mm
H	H 64,00 mm
J	H 78,00 mm
K	H 7,40 mm
M	↺ 0,70 Nm


Wiring diagram

KG20B.T303.VE



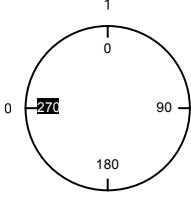

Switch program

KG20B.T303.VE



Kraus & Naimer

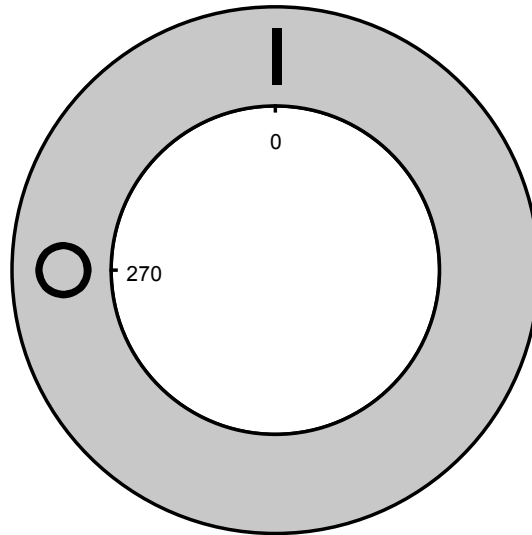
KG20B **T303** Page 1 of 1

Face Plate		L1	L2	L3					
		1	3	5	7	9	11	13	15
									
Switching Angle <input type="text" value="90"/> Total switching Angle <input type="text" value="90"/>		2	4	6	8	10	12	14	16
		T1	T2	T3					
0	270								
1	0	■	■	■					
	90								
	180								

Version: 102

Face plate

S1.F456/C10.V11H





Sample image

PADLOCK DEVICE

with F-handle ring

Designation: S1.V840G/D61/B2

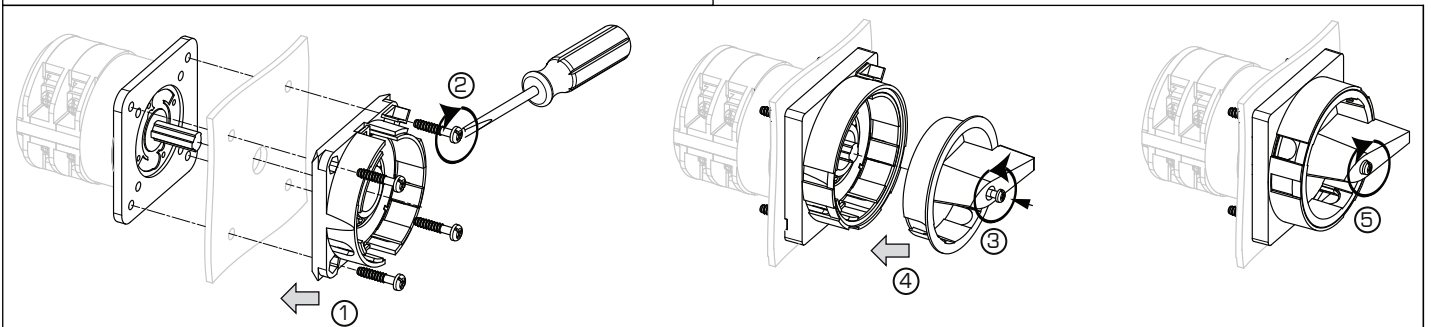
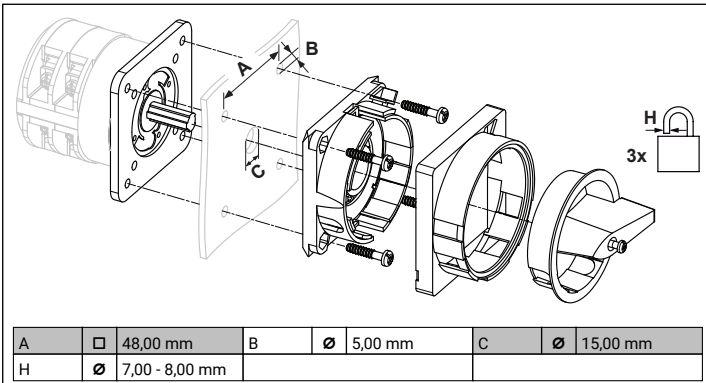
Colour of F-handle ring: "D" red

Colour of face ring: "6" yellow

Locking position: "1" at 270° (1x90°)

Type of mounting: "B" for type of mounting VE

Switch type: "2" for KA-, KG- and KH(R)-switches



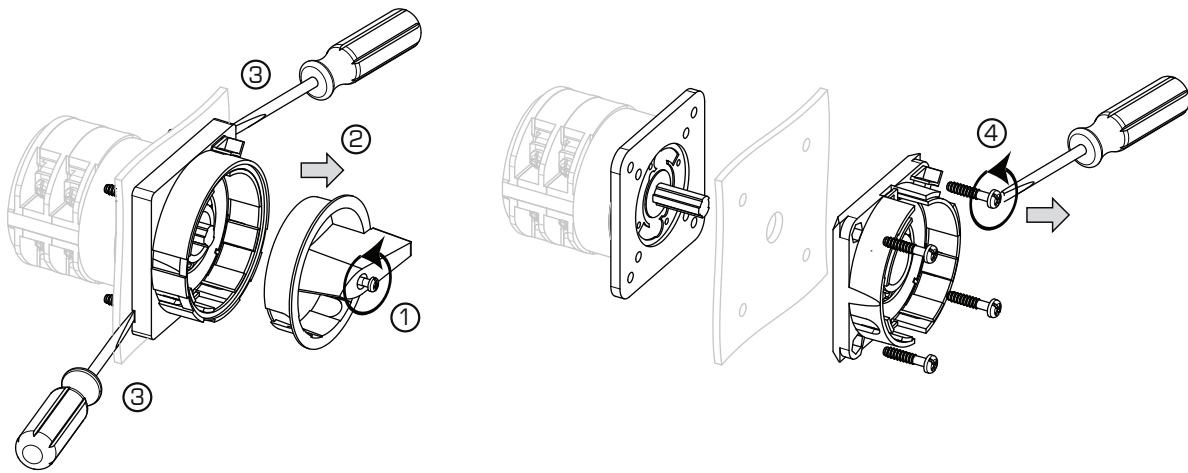
MOUNTING

1 + 2 The padlock device has to be mounted by four cylinder head screws from the front.

3 Loosen the screw and

4 Push it into the handle onto the shaft

5 Fasten the screw.

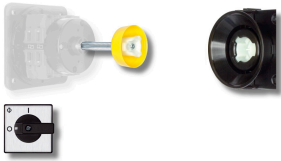


1 Loose handle screw

2 remove handle.

3 Insert a proper auxiliary tool at those points of the frame of the device which are marked by a screw driver on the drawing and remove the frame.

4 Fixing screws can be loosen now.



Sample image

STANDARD DOOR CLUTCH

with shaft extension/asymmetric profile (with arresting screw)

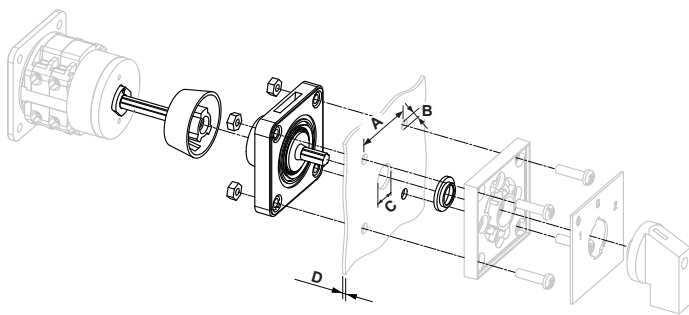
Designation: S1.M280E/B21S-EF/1

Type of interlock: "B2" with protected profile and interlock by door clutch

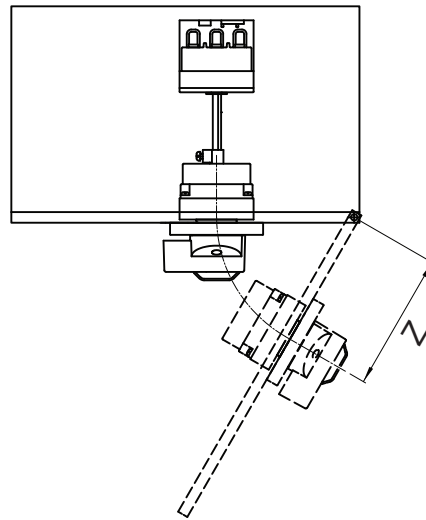
Shaft length: "1" 32 - 57 mm

Application: "S" for type of mounting VE

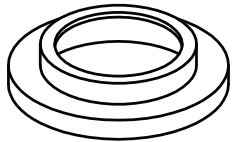
Type of version: "-EF/1" splash proof (IP66/67) for next smaller switch size



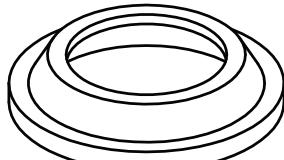
A	□	48,00 mm	B	∅	5,00 mm	C	∅	19,00 - 22,00 mm
D	H	4,00 mm						



Z	H	>= 100,00 mm		
---	---	--------------	--	--

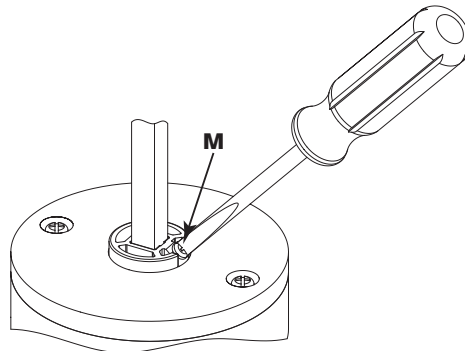


S2D V840 10



S3D V840 10

If S2 V840D or S2/S3 V845 will be applied with M280D, M280E or M280F, separately delivered parts S2D V840 10 resp. S3D V840 10 are not needed.



M	↻	0,80 Nm		
---	---	---------	--	--

1. Loosen the screw
2. Move shaft
3. Tighten the screw

SHAFT EXTENSIONS
in special length for M004D

Designation: S0.M099D/000B140

GENERAL TECHNICAL INFORMATION**Recommended screw driver**

Type of screw driver	Value
Cross Screwdriver	PH1