

Sample image






Datasheet

Article number: 70010162

Designation: KG32B.T203/01.E

Description: Switch Global Disconnecter

IEC 60947-3 EN 60947-3, VDE 0660 Teil 107						
Rated insulation voltage Ui						
Voltage (V) AC / DC						
690 AC						
Rated uninterrupted current Iu/Ith						
Current (A)	Ambient temperature (°C)	Peak temperature (°C)		additional requirements		
32	50	55		Ambient temperature +50°C during 24 hours with peaks up to +55°C		
Rated operational current Ie						
Utilization category						
AC-32A						
Voltage (V)						
20 - 400						
Rated operational power						
Utilization category						
Voltage (V)						
No. of phases						
No. of poles						
Power (kW)						
AC-3	220 - 240	3		3		5,50
AC-3	380 - 440	3		3		7,50
AC-3	660 - 690	3		3		7,50
AC-23A	220 - 240	3		3		5,50
AC-23A	380 - 440	3		3		11
AC-23A	660 - 690	3		3		11
Max. Fuse rating IEC						
Fuse characteristic						
gG						
No. of Fuses						
1						
Current (A)						
35						
UL60947-4-1 , UL508						
Nominal Voltage						
Voltage (V) AC / DC						
600 AC						
Rated insulation voltage Ui						
Voltage (V) AC / DC						
600 AC						
Rated thermal current						
Current (A)						
30						
Ambient temperature (°C)						
0 - 40 -						
Horsepower rating						
Across-the-Line Motor Starting						
Voltage (V)						
No. of phases						
No. of poles						
Power (HP)						
Ambient temperature [°C]						
DOL	110 - 120	1		2		1,50
DOL	200 - 208	1		2		3
DOL	220 - 240	1		2		5
DOL	277 - 277	1		2		5
DOL	415 - 415	1		2		5
DOL	440 - 480	1		2		7,50
DOL	550 - 600	1		2		7,50
DOL	110 - 120	3		3		3
DOL	200 - 240	3		3		10
DOL	415 - 415	3		3		10
DOL	440 - 480	3		3		20
DOL	550 - 600	3		3		25
Pilot duty rating code						
Duty Code						
A600						
SCCR / Max. fuse rating						
Conditions of acceptability						
This device is suitable for use on circuits capable of delivering not more than 10kA rms symmetrical amperes, 600V ac max. when protected by Type RK1 fuses.						
Suitable for use on a circuit capable of delivering not more than 65000 rms symmetrical amperes at 600V max., when protected by 40A Class J fuses.						
Temp. rating of wire						
Temperature rating (°C)						
60 - 75						
Current (A)						
-- --						
General Use						
AC / DC						
Voltage (V)						
Current (A)						
No. of phases						
No. of poles						
No. of contacts in series						
AC	277	30		1		1
AC	600	30		1		1
AC	600	30		3		1

General Information						
<i>Text</i>						
- The operating handle and position indicating means to be used with these manual motor controllers should be provided from the manufacturer, or the operating handle and position indicating means to be used should have been previously evaluated in combination with the manual motor controllers.						
- When intended for use as a motor disconnecter the device shall be provided with a method of being locked in the OFF-position.						
CSA						
Nominal Voltage						
Voltage (V) AC / DC						
600 AC						
Rated insulation voltage Ui						
Voltage (V) AC / DC						
600 AC						
Rated thermal current						
Current (A)		Ambient temperature (°C)		Additional Text		
30		0 - 40		-		
Horsepower rating						
Across-the-Line Motor Starting						
	Voltage (V)	No. of phases	No. of poles	Power (HP)	Ambient temperature [°C]	
DOL	110 - 120	1	2	1,50	40	
DOL	220 - 240	1	2	5	40	
DOL	277 - 277	1	2	5	40	
DOL	415 - 415	1	2	5	40	
DOL	440 - 480	1	2	7,50	40	
DOL	550 - 600	1	2	7,50	40	
DOL	110 - 120	3	3	3	40	
DOL	220 - 240	3	3	10	40	
DOL	415 - 415	3	3	10	40	
DOL	440 - 480	3	3	20	40	
DOL	550 - 600	3	3	25	40	
Pilot duty rating code						
<i>Duty Code</i>						
A600						
Temp. rating of wire						
Temperature rating (°C)			Current (A) Text			
75			-- --			
General Use						
AC / DC	Voltage (V)	Current (A)	No. of phases	No. of poles	No. of contacts in series	
AC	277	30	1	1	1	
AC	600	30	1	2	1	
AC	600	30	3	3	1	
GENERAL TECHNICAL INFORMATION						
Size of conductor						
<i>composition of conductor</i>	<i>Min. / Max. value</i>	<i>No. of conductor per terminal</i>		<i>Cross section (mm²) or (AWG/kcmil)</i>		<i>Material of the wire</i>
Flexible wire	Max.	1		1 AWG 10		Copper
Flexible wire	Max.	1		4mm ²		Copper
Single-core or stranded wire	Max.	1		6mm ²		Copper
Single-core or stranded wire	Max.	1		AWG 10		Copper
Flexible wire with sleeve	Max.	1		4mm ²		Copper
Stripping length						
Length (mm) --						
						
Recommended screw driver						
<i>Type of screw driver</i>				<i>Value</i>		
Cross Screwdriver				PH2		
Slot screwdriver according to DIN 5264				0,8x4		
Tightening torque of screws						
<i>tightening torque (Nm)</i>				<i>tightening torque (lb-in)</i>		
1,25				11		
Approbations						
<i>Specification</i>						<i>Marking</i>
CE marking						
UK Directives						
CSA C.22.2 No.14						
GB/T14048.3						
General Information						
<i>Text</i>						
- Alleen koperleidingen met of zonder vertinde/verzilverde draden (per draad) gebruiken. Het nadien vertinnen van de uiteinden is niet toegestaan.						
- EMC Note: This device is suitable for use in environment A and B.						
- Terminals with factory fitted jumper links are tightened during production for loss prevention. When opening the terminal clamps, make sure that no factory fitted links get lost and that all wire connections are properly seated.						


General Information

Text

- After wiring, ALL terminal screws must be tightened to the specified torque values.
- Het gebruik van een extra apparaat kan de beschermingsklasse van de gekozen bouwvorm beïnvloeden.
- Do not lubricate or treat contacts.
- Switches may only be mounted, connected and set into operation by qualified persons according to the accepted rules of technology.


Waste Electrical & Electronic Equipment (WEEE)

Picture name Description

 Do not throw in the trash as care must be taken to ensure environmentally sound disposal and recycling. Please either use an environmentally friendly waste disposal company; return to the supplier for disposal; or return direct to the manufacturer, Kraus & Naimer. You can find local Kraus & Naimer offices at www.krausnaimer.com

Proposition 65

Picture name Description

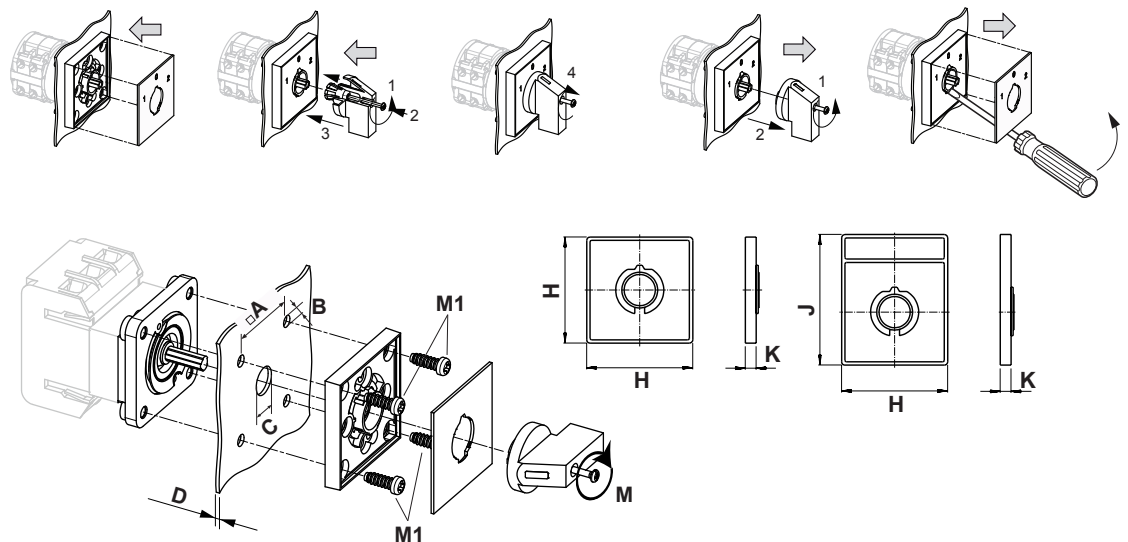
 WARNING: This product can expose you to chemicals including nickel and lead, which is known to the State of California to cause cancer. For more information go to www.P65Warnings.ca.gov.

Classification Contact: Rigid contact bridge

Classification Contact Mat: Silver

Classification Terminal: Screw terminal

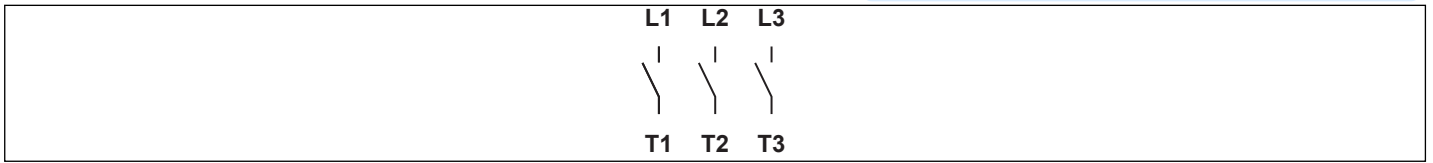
Mounting-E




IP - Code front side	IP66, IP67
Stages	1,00 - 12,00
A	□ 48,00 mm
B	∅ 5,00 mm
C	∅ 10,00 - 15,00 mm
D	H ≤ 4,00 mm
H	H 64,00 mm
J	H 78,00 mm
K	H 7,40 mm
M	\vec{m} 0,70 Nm
M1	\vec{m} 0,90 Nm

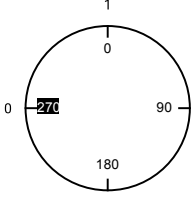
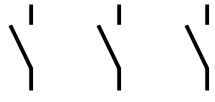
Wiring diagram

KG32B.T303.E



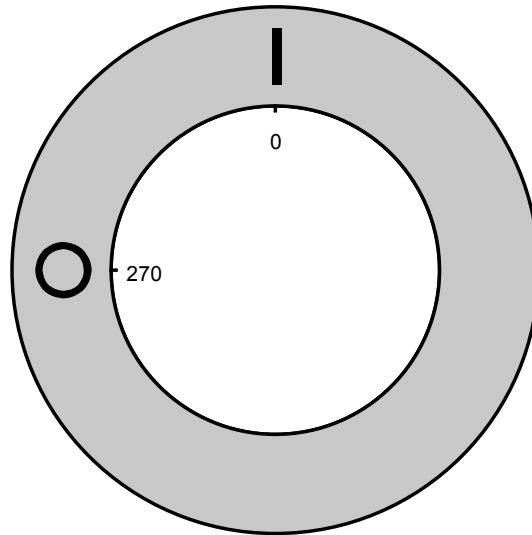
Switch program
KG32B.T303.E

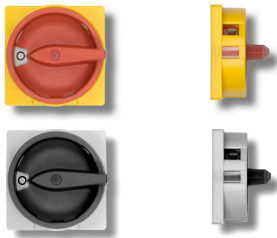
 Kraus & Naimer

		KG32B			T303			Page 1 of 1			
Face Plate											
		L1	L2	L3							
		1	3	5	7	9	11	13	15		
Switching Angle <input type="text" value="90"/> Total switching Angle <input type="text" value="90"/>		2	4	6	8	10	12	14	16		
		T1	T2	T3							
0	270										
1	0	█	█	█							
	90										
	180										
Version: 102											

Face plate

S1.F456/C10.V11H





Sample image

PADLOCK DEVICE

with F-handle ring

Designation: S1.V840G/D61/A2

Colour of F-handle ring: "D" red

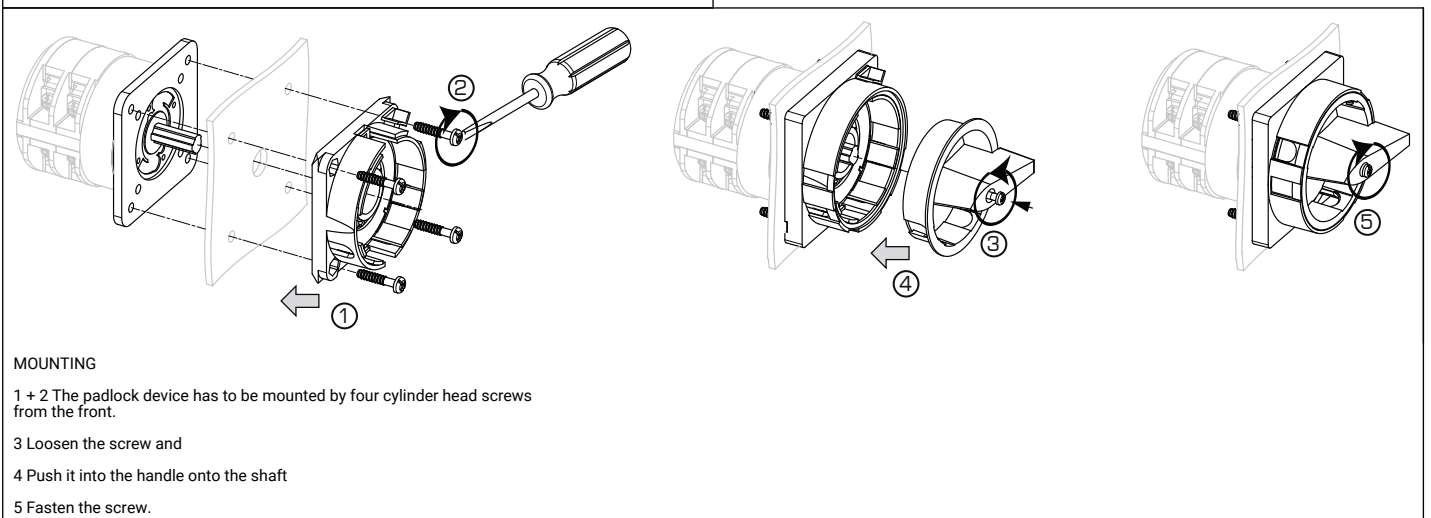
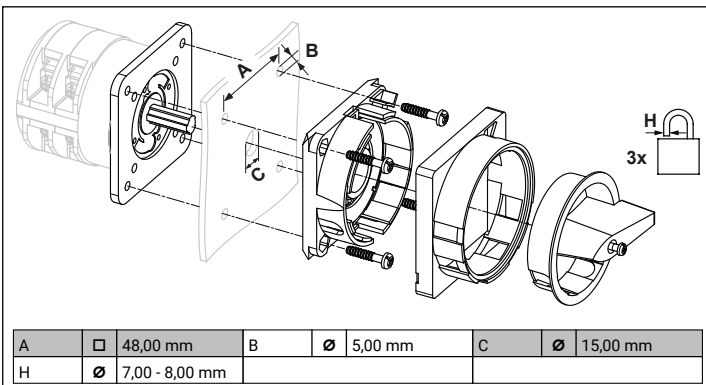
Colour of face ring: "6" yellow

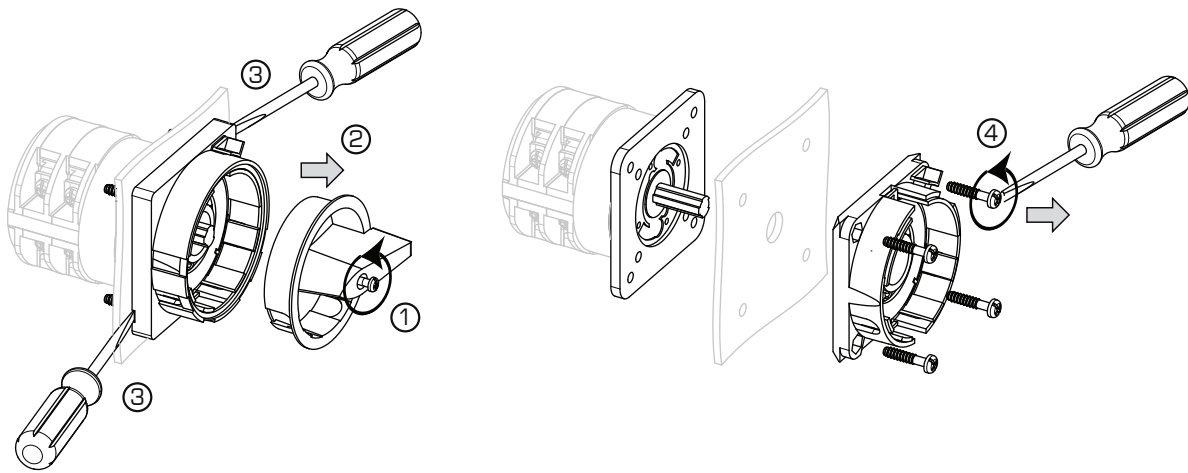
Locking position: "1" at 270° (1x90°)

Type of mounting: "A" for type of mounting GK (Rose)

Type of mounting: "A" for type of mounting E

Switch type: "2" for KA-, KG- and KH(R)-switches





1 Loose handle screw

2 remove handle.

3 Insert a proper auxiliary tool at those points of the frame of the device which are marked by a screw driver on the drawing and remove the frame.

4 Fixing screws can be loosen now.