



Sample image






Datasheet

Article number: 70010830

Designation: KG125.T104/01.E


Description: Switch Global Disconnecter

IEC 60947-3 EN 60947-3, VDE 0660 Teil 107						
Rated insulation voltage Ui						
			Voltage (V) AC / DC			
			1000 AC			
Rated uninterrupted current Iu/Ith						
Current (A)	Ambient temperature (°C)		Peak temperature (°C) additional requirements			
125	50		55 Ambient temperature +50°C during 24 hours with peaks up to +55°C			
Rated operational current Ie						
Utilization category			Voltage (V)		Current (A)	
AC-32A			20 - 400		125	
Rated operational power						
Utilization category	Voltage (V)		No. of phases	No. of poles		Power (kW)
AC-3	220 - 240		3	3		22
AC-3	380 - 440		3	3		37
AC-3	660 - 690		3	3		30
AC-23A	220 - 240		3	3		30
AC-23A	380 - 440		3	3		45
AC-23A	660 - 690		3	3		37
Max. Fuse rating IEC						
Fuse characteristic			No. of Fuses		Current (A)	
gG			1		125	
UL60947-4-1, UL508						
Nominal Voltage						
			Voltage (V) AC / DC			
			600 AC			
Rated insulation voltage Ui						
			Voltage (V) AC / DC			
			600 AC			
Rated thermal current						
		Current (A)	Ambient temperature (°C)		Additional Text	
		150	0 - 40		ON-OFF switch (Valid when connected with wire rated for 75°C)	
		125	0 - 40		Change over switch (Valid when connected with wire rated for 75°C)	
Horsepower rating						
Across-the-Line Motor Starting			Voltage (V)	No. of phases	No. of poles	Power (HP) Ambient temperature [°C]
DOL			110 - 120	1	2	7,50 40
DOL			220 - 240	1	2	20 40
DOL			277 - 277	1	2	20 40
DOL			440 - 480	1	2	35 40
DOL			550 - 600	1	2	35 40
DOL			110 - 120	3	3	15 40
DOL			220 - 240	3	3	30 40
DOL			440 - 480	3	3	60 40
DOL			550 - 600	3	3	60 40
SCCR / Max. fuse rating						
<i>Conditions of acceptability</i>						
This device is suitable for use on circuits capable of delivering not more than 10kA rms symmetrical amperes, 600V ac max. when protected by Type RK1 fuses.						
Suitable for use on a circuit capable of delivering not more than 65000 rms symmetrical amperes at 600V max., when protected by 300A Class J fuses.						
Temp. rating of wire						
			Temperature rating (°C)	Current (A) Text		
			75	-- --		
General Use						
AC / DC	Voltage (V)	Current (A)	No. of phases	No. of poles		No. of contacts in series
AC	277	125	1	1		1
AC	277	150	1	1		1
AC	600	150	1	2		1
AC	600	150	3	3		1
AC double-throw function	600	125	1	2		1
AC double-throw function	600	125	3	3		1

General Information						
Text						
- The operating handle and position indicating means to be used with these manual motor controllers should be provided from the manufacturer, or the operating handle and position indicating means to be used should have been previously evaluated in combination with the manual motor controllers.						
CSA						
Nominal Voltage						
				Voltage (V) AC / DC		
				600 AC		
Rated insulation voltage Ui						
				Voltage (V) AC / DC		
				600 AC		
Rated thermal current						
		Current (A)		Ambient temperature (°C)		Additional Text
		150		0 - 40		--
Horsepower rating						
<i>Across-the-Line Motor Starting</i>						
	Voltage (V)	No. of phases	No. of poles	Power (HP)	Ambient temperature [°C]	
DOL	110 - 120	1	2	7,50	40	
DOL	220 - 240	1	2	20	40	
DOL	277 - 277	1	2	20	40	
DOL	440 - 480	1	2	35	40	
DOL	550 - 600	1	2	35	40	
DOL	110 - 120	3	3	15	40	
DOL	220 - 240	3	3	30	40	
DOL	440 - 480	3	3	60	40	
DOL	550 - 600	3	3	60	40	
Temp. rating of wire						
			Temperature rating (°C)		Current (A) Text	
			75		-- --	
General Use						
AC / DC	Voltage (V)	Current (A)	No. of phases	No. of poles	No. of contacts in series	
AC	277	150	1	1	1	
AC	600	150	1	2	1	
AC	600	150	3	3	1	
GENERAL TECHNICAL INFORMATION						
Size of conductor						
composition of conductor	Min. / Max. value	No. of conductor per terminal	Cross section (mm ²) or (AWG/kcmil)		Material of the wire	
Solid wire	Min.		1	6mm ²	Copper	
Flexible wire	Max.		1	70mm ²	Copper	
Flexible wire	Min.		1	16mm ²	Copper	
Flexible wire	Max.		1	AWG 2/0	Copper	
Single-core or stranded wire	Max.		1	95mm ²	Copper	
Single-core or stranded wire	Max.		1	AWG 3/0	Copper	
Flexible wire with sleeve	Max.		1	70mm ²	Copper	
Flexible wire with ferrule according to DIN 46228	Min.		1	10mm ²	Copper	
Stripping length						
			Length (mm) --			
						
Recommended screw driver						
Type of screw driver			Value			
Hex key			5			
Tightening torque of screws						
			tightening torque (Nm)		tightening torque (lb-in)	
			14		125	
Approbations						
Specification						Marking
CE marking						
UK Directives						
CSA C.22.2 No.14						
General Information						
Text						
- Alleen koperleidingen met of zonder vertinde/verzilverde draden (per draad) gebruiken. Het nadien vertinnen van de uiteinden is niet toegestaan.						
- EMC Note: This device is suitable for use in environment A and B.						
- Terminals with factory fitted jumper links are tightened during production for loss prevention. When opening the terminal clamps, make sure that no factory fitted links get lost and that all wire connections are properly seated.						
- After wiring, ALL terminal screws must be tightened to the specified torque values.						
- Het gebruik van een extra apparaat kan de beschermingsklasse van de gekozen bouwvorm beïnvloeden.						
- Do not lubricate or treat contacts.						
- Switches may only be mounted, connected and set into operation by qualified persons according to the accepted rules of technology.						
Waste Electrical & Electronic Equipment (WEEE)						
Picture name	Description					
	Do not throw in the trash as care must be taken to ensure environmentally sound disposal and recycling. Please either use an environmentally friendly waste disposal company; return to the supplier for disposal; or return direct to the manufacturer, Kraus & Naimer. You can find local Kraus & Naimer offices at www.krausnaimer.com					

Proposition 65

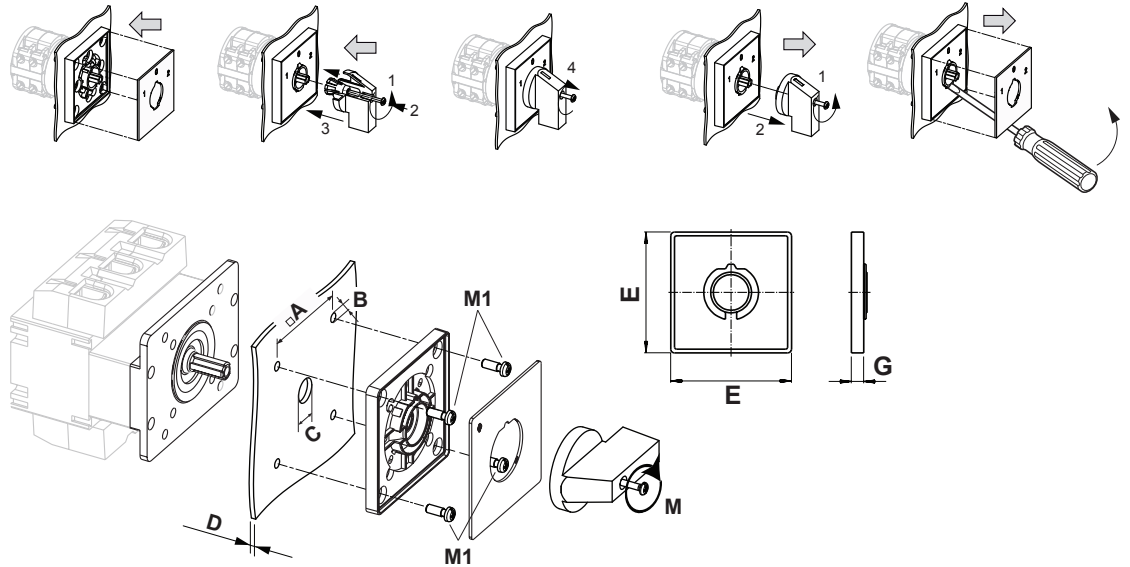
Picture name Description

 **WARNING:** This product can expose you to chemicals including nickel and lead, which is known to the State of California to cause cancer. For more information go to www.P65Warnings.ca.gov.

Classification Contact: Rigid contact bridge

Classification Contact Mat: Silver

Classification Terminal: Screw terminal

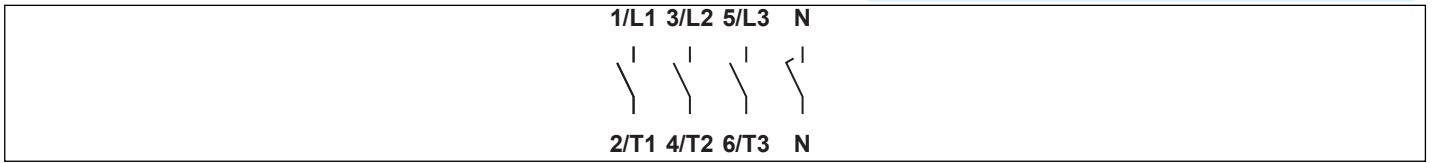
Mounting-E


IP - Code front side	IP66, IP67
Stages	1,00 - 12,00
A	□ 68,00 mm
B	∅ 6,00 mm
C	∅ 13,00 - 17,00 mm
D	H ≤ 5,50 mm
E	H 88,00 mm
G	H 8,50 mm
M	↺ 1,20 Nm
M1	↺ 1,50 Nm

Montageplaten moeten worden gemonteerd met M5 x 25 mm cilinderkopschroeven of ovaalkopschroeven, ringen en moeren. Houd er rekening mee dat deze componenten niet bij de levering zijn inbegrepen.


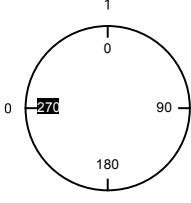
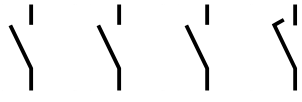
Wiring diagram

KG125.T304.E



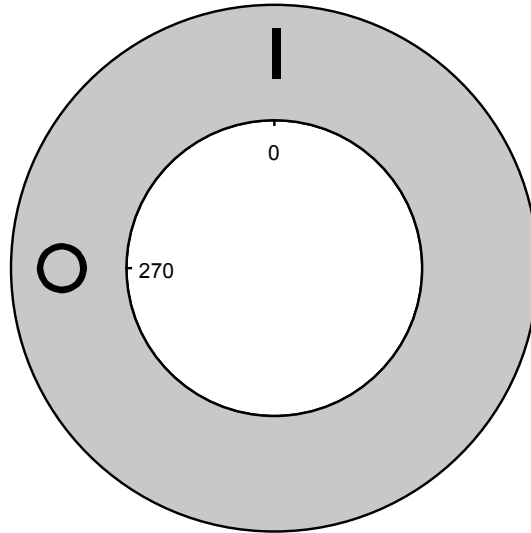
Switch program

KG125.T304.E

 Kraus & Naimer		KG125		T304		Page 1 of 1				
		Face Plate								
		1/L1	3/L2	5/L3	N					
		1	3	5	7	9	11	13	15	
										
Switching Angle <input type="text" value="90"/> Total switching Angle <input type="text" value="90"/>		2	4	6	8	10	12	14	16	
		2/T1	4/T2	6/T3	N					
0	<input checked="" type="checkbox"/>									
1	<input type="checkbox"/>	<input checked="" type="checkbox"/>	<input checked="" type="checkbox"/>	<input checked="" type="checkbox"/>	<input checked="" type="checkbox"/>					
	<input type="checkbox"/>									
	<input type="checkbox"/>									
90	<input type="checkbox"/>									
	<input type="checkbox"/>									
	<input type="checkbox"/>									
180	<input type="checkbox"/>									
	<input type="checkbox"/>									
	<input type="checkbox"/>									
Version: 84										

Face plate

S2.F456/C10.V11





Sample image

PADLOCK DEVICE

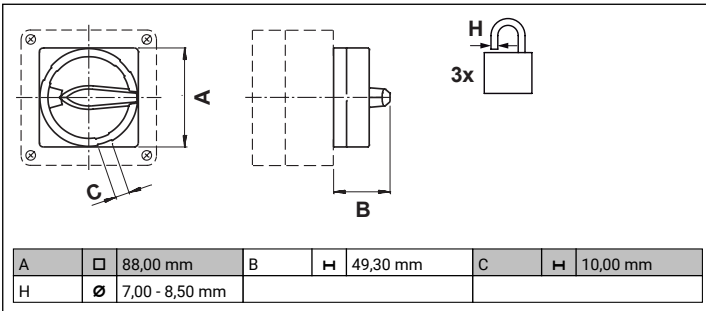
with F-handle ring for type of mounting E, EF, E22, FT, VE, GK, PN, PF, KS (S00)

Designation: S2.V840D/A7-E

Colour of F-handle ring: "A" black

Colour of face ring: "7" electro-grey

Type of mounting: "-E" for type of mounting E for KG125/KG160, KG250/KG315



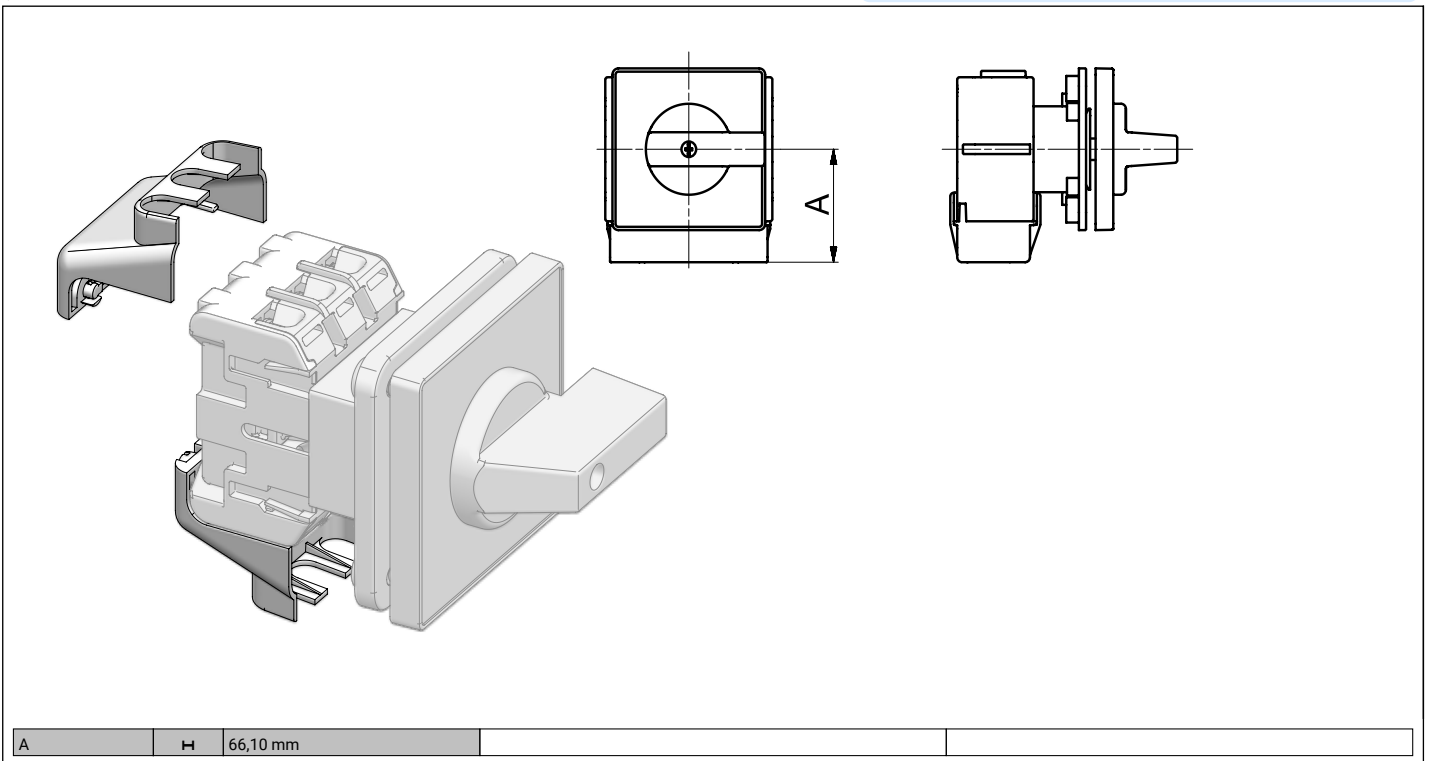
PROTECTIVE COVER

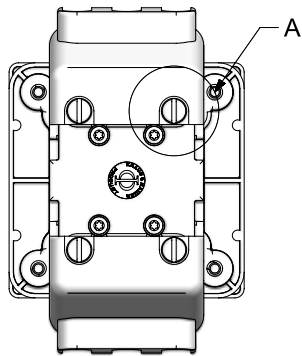
for KA40-KA63BT, KG20-KG317, KH(R)32-KH(R)80 and KH85

Designation: K3.M160/42

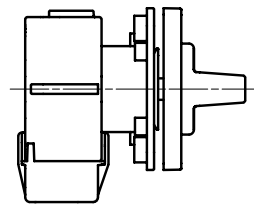
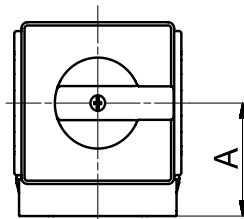
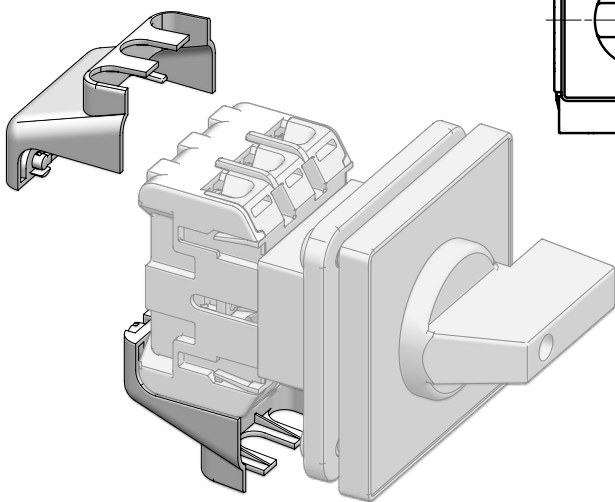
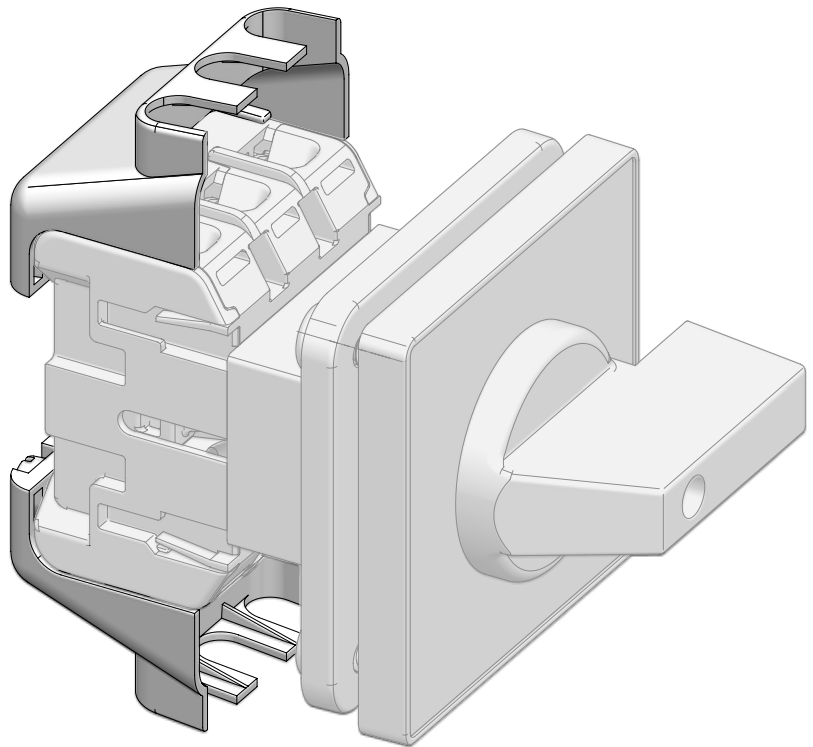
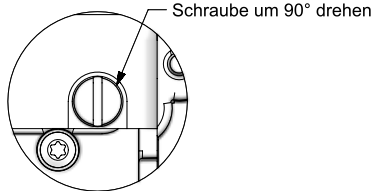
Type of version: "4" cover for 4 pole switches

Switch type: "2" for KG125, KG127, KG160 and KG162





DETAIL A
M 2:1



A	H	76,00 mm		
---	---	----------	--	--