



Sample image

Datasheet

Article number: 70011464

Designation: KG100.T204/09.VE

Description: Switch Global Disconnecter

IEC 60947-3 EN 60947-3, VDE 0660 Teil 107						
Rated insulation voltage Ui						
		Voltage (V) AC / DC				
		690 AC				
Rated uninterrupted current Iu/Ith						
Current (A)	Ambient temperature (°C)	Peak temperature (°C)	additional requirements			
100	50	55	Ambient temperature +50°C during 24 hours with peaks up to +55°C			
Rated operational current Ie						
Utilization category		Voltage (V)		Current (A)		
AC-32A		20 - 400		100		
Rated operational power						
Utilization category	Voltage (V)	No. of phases	No. of poles	Power (kW)		
AC-3	220 - 240	3	3	18,50		
AC-3	380 - 440	3	3	30		
AC-3	660 - 690	3	3	22		
AC-23A	220 - 240	3	3	22		
AC-23A	380 - 440	3	3	37		
AC-23A	660 - 690	3	3	30		
Max. Fuse rating IEC						
Fuse characteristic		No. of Fuses		Current (A)		
gG		1		100		
UL60947-4-1 , UL508						
Nominal Voltage						
		Voltage (V) AC / DC				
		600 AC				
Rated insulation voltage Ui						
		Voltage (V) AC / DC				
		600 AC				
Rated thermal current						
		Current (A)	Ambient temperature (°C)	Additional Text		
		100	0 - 40	-		
Horsepower rating						
Across-the-Line Motor Starting	Voltage (V)	No. of phases	No. of poles	Power (HP)	Ambient temperature [°C]	
DOL	110 - 120	1	2	5	40	
DOL	220 - 240	1	2	15	40	
DOL	277 - 277	1	2	15	40	
DOL	415 - 415	1	2	25	40	
DOL	440 - 480	1	2	30	40	
DOL	550 - 600	1	2	30	40	
DOL	110 - 120	3	3	10	40	
DOL	220 - 240	3	3	25	40	
DOL	415 - 415	3	3	40	40	
DOL	440 - 480	3	3	50	40	
DOL	550 - 600	3	3	50	40	
SCCR / Max. fuse rating						
<i>Conditions of acceptability</i>						
These devices are suitable for use on circuits capable of delivering not more than 10kA rms symmetrical amperes, 600V ac max. when protected by Type RK1 fuses or Circuit Breaker Type SFHA36AT0250, manufactured by General Electric.						
Suitable for use on a circuit capable of delivering not more than 65000 rms symmetrical amperes 600V max., when protected by Class J fuses, 100A max.						
Temp. rating of wire						
		Temperature rating (°C)	Current (A)		Text	
		75	-		-	
Connecting instructions						
<i>Markings</i>						
Break all lines.						
General Use						
AC / DC	Voltage (V)	Current (A)	No. of phases	No. of poles	No. of contacts in series	
AC	277	100	1	1	1	

General Use					
AC / DC	Voltage (V)	Current (A)	No. of phases	No. of poles	No. of contacts in series
AC	600	100	1	2	1
AC	600	100	3	3	1

General Information
Text

- The operating handle and position indicating means to be used with these manual motor controllers should be provided from the manufacturer, or the operating handle and position indicating means to be used should have been previously evaluated in combination with the manual motor controllers.
- When intended for use as a motor disconnecter the device shall be provided with a method of being locked in the OFF-position.

CSA
Nominal Voltage

Voltage (V) AC / DC
600 AC

Rated insulation voltage Ui

Voltage (V) AC / DC
600 AC

Rated thermal current

Current (A) Ambient temperature (°C) Additional Text
100 0 - 40 -

Horsepower rating

Across-the-Line Motor Starting	Voltage (V)	No. of phases	No. of poles	Power (HP)	Ambient temperature [°C]
DOL	110 - 120	1	2	5	40
DOL	220 - 240	1	2	15	40
DOL	277 - 277	1	2	15	40
DOL	415 - 415	1	2	25	40
DOL	440 - 480	1	2	30	40
DOL	550 - 600	1	2	30	40
DOL	110 - 120	3	3	10	40
DOL	220 - 240	3	3	25	40
DOL	415 - 415	3	3	40	40
DOL	440 - 480	3	3	50	40
DOL	550 - 600	3	3	50	40

Temp. rating of wire

Temperature rating (°C) Current (A) Text
75 --

General Use

AC / DC	Voltage (V)	Current (A)	No. of phases	No. of poles	No. of contacts in series
AC	277	100	1	1	1
AC	600	100	1	2	1
AC	600	100	3	3	1

GENERAL TECHNICAL INFORMATION
Size of conductor

composition of conductor	Min. / Max. value	No. of conductor per terminal	Cross section (mm ²) or (AWG/kcmil)	Material of the wire
Solid wire	Min.	1	2.5mm ²	Copper
Flexible wire	Min.	1	4mm ²	Copper
Flexible wire	Max.	1	35mm ²	Copper
Flexible wire	Max.	1	AWG 2	Copper
Single-core or stranded wire	Min.	1	AWG 10	Copper
Single-core or stranded wire	Max.	1	AWG 1/0	Copper
Single-core or stranded wire	Max.	1	50mm ²	Copper
Flexible wire with sleeve	Max.	1	35mm ²	Copper
Flexible wire with ferrule according to DIN 46228	Min.	1	2.5mm ²	Copper

Stripping length

Length (mm) --





Recommended screw driver

Type of screw driver	Value
Cross Screwdriver	PH2
Slot screwdriver according to DIN 5264	1,2x6,5

Tightening torque of screws

tightening torque (Nm) tightening torque (lb-in)
3 27

Approbations

Specification	Marking
CE marking	
UK Directives	
CSA C.22.2 No.14	

General Information
Text

- Alleen koperleidingen met of zonder vertinde/verzilverde draden (per draad) gebruiken. Het nadien vertinnen van de uiteinden is niet toegestaan.
- Terminals with factory fitted jumper links are tightened during production for loss prevention. When opening the terminal clamps, make sure that no factory fitted links get lost and that all wire connections are properly seated.


General Information

Text

- After wiring, ALL terminal screws must be tightened to the specified torque values.
- Het gebruik van een extra apparaat kan de beschermingsklasse van de gekozen bouwvorm beïnvloeden.
- Do not lubricate or treat contacts.
- Switches may only be mounted, connected and set into operation by qualified persons according to the accepted rules of technology.


Waste Electrical & Electronic Equipment (WEEE)

Picture name Description

 Do not throw in the trash as care must be taken to ensure environmentally sound disposal and recycling. Please either use an environmentally friendly waste disposal company; return to the supplier for disposal; or return direct to the manufacturer, Kraus & Naimer. You can find local Kraus & Naimer offices at www.krausnaimer.com

Proposition 65

Picture name Description

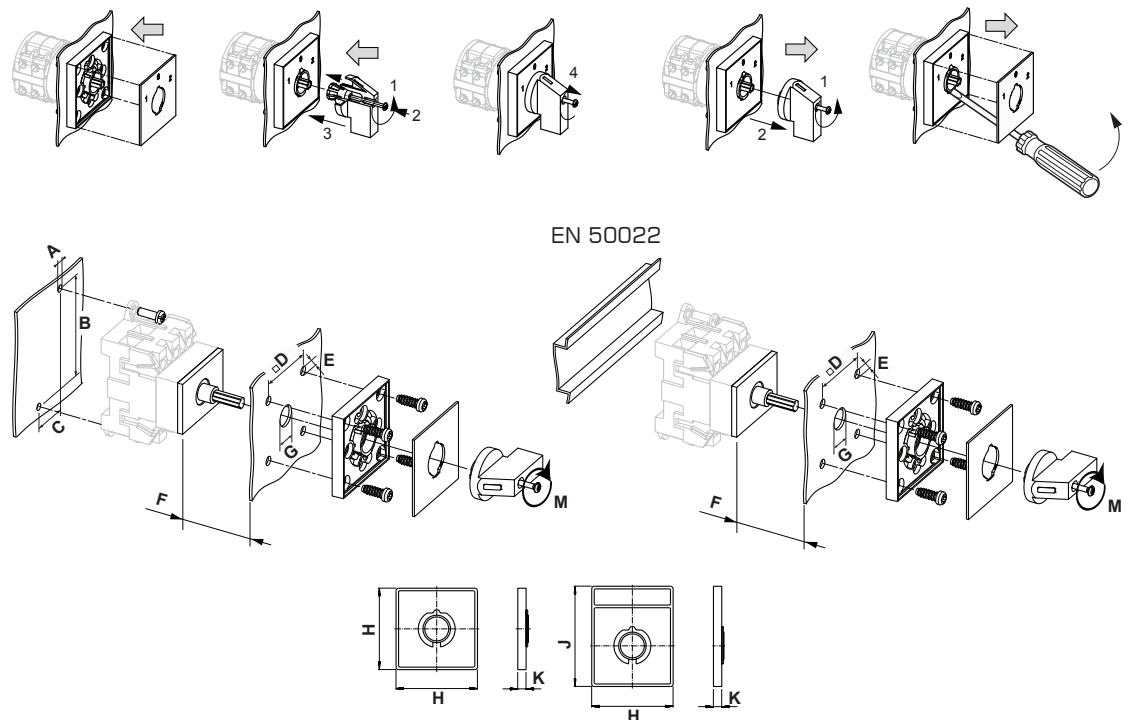
 WARNING: This product can expose you to chemicals including nickel and lead, which is known to the State of California to cause cancer. For more information go to www.P65Warnings.ca.gov.

Classification Contact: Rigid contact bridge

Classification Contact Mat: Silver

Classification Terminal: Screw terminal

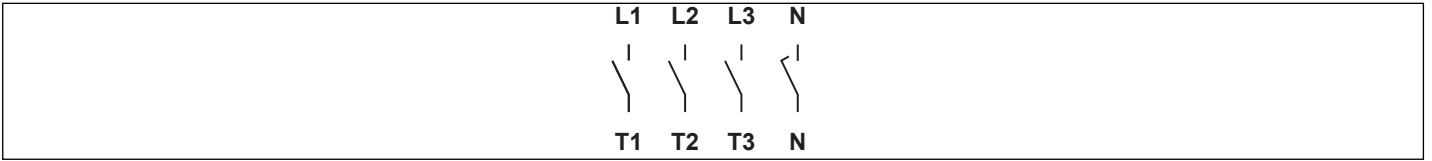
Mounting-VE



IP - Code front side	IP40
Stages	1,00 - 5,00
A	∅ 5,20 mm
B	H 90,00 mm
B_tol.	H ± 1,00 mm
C	H 25,00 mm
C_tol.	H ± 0,50 mm
D	□ 48,00 mm
E	∅ 5,00 mm
F	H ≤ 13,50 mm
G	∅ 10,00 - 15,00 mm
H	H 64,00 mm
J	H 78,00 mm
K	H 7,40 mm
M	↺ 0,70 Nm

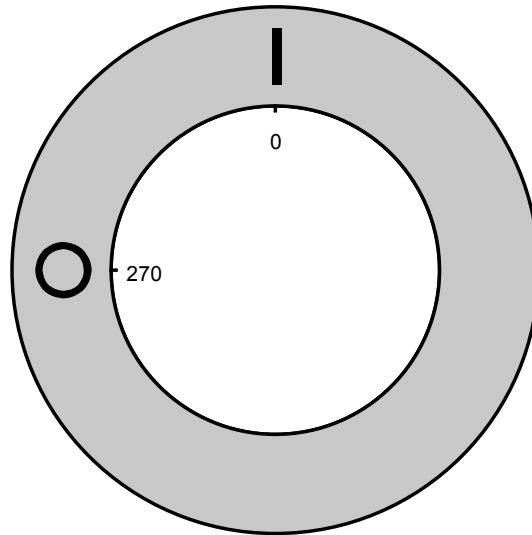
Wiring diagram

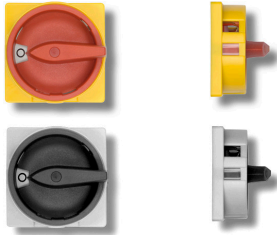
KG100.T304.VE



Face plate

S1.F456/C10.V11H





Sample image

PADLOCK DEVICE

with F-handle ring

Designation: S1.V840G/D61/B2

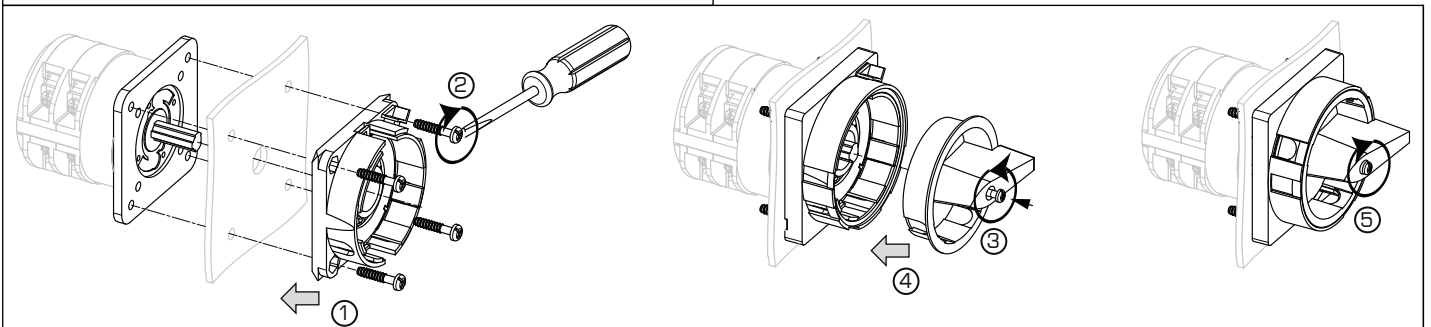
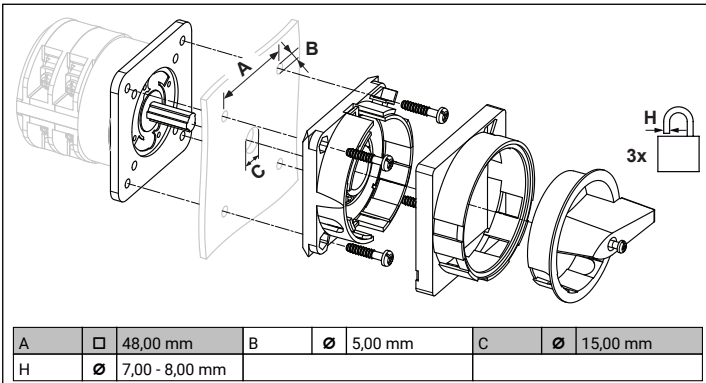
Colour of F-handle ring: "D" red

Colour of face ring: "6" yellow

Locking position: "1" at 270° (1x90°)

Type of mounting: "B" for type of mounting VE

Switch type: "2" for KA-, KG- and KH(R)-switches



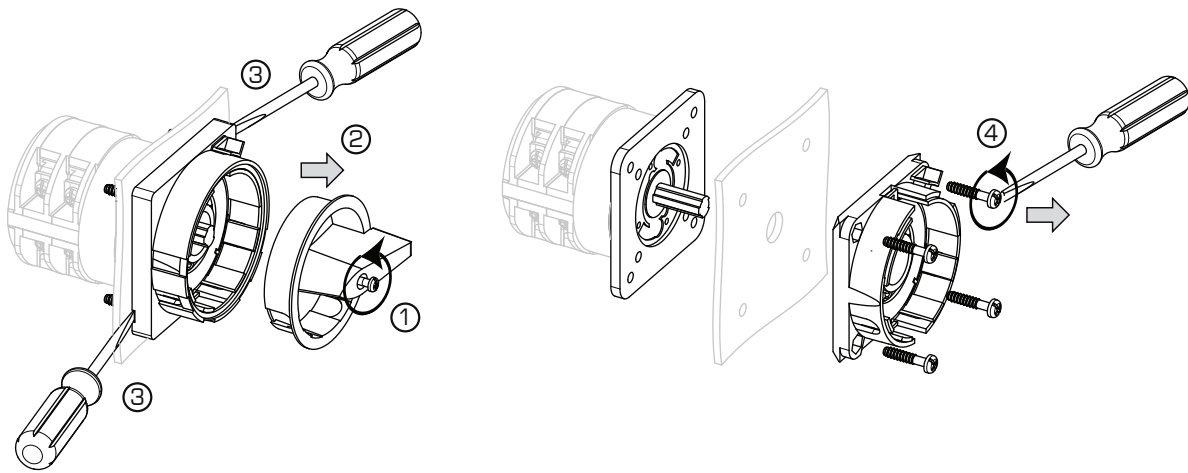
MOUNTING

1 + 2 The padlock device has to be mounted by four cylinder head screws from the front.

3 Loosen the screw and

4 Push it into the handle onto the shaft

5 Fasten the screw.

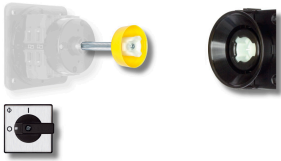


1 Loose handle screw

2 remove handle.

3 Insert a proper auxiliary tool at those points of the frame of the device which are marked by a screw driver on the drawing and remove the frame.

4 Fixing screws can be loosen now.



Sample image

STANDARD DOOR CLUTCH

with shaft extension/asymmetric profile (with arresting screw)

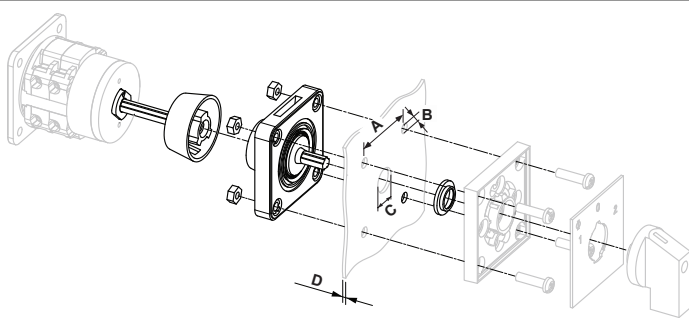
Designation: S1.M280E/B21S-EF

Type of interlock: "B2" with protected profile and interlock by door clutch

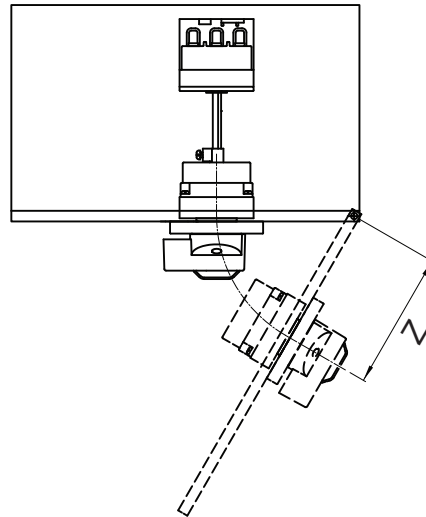
Shaft length: "1" 32 - 57 mm

Application: "S" for type of mounting VE

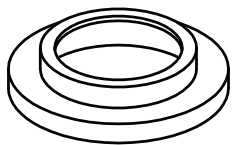
Type of version: "-EF" splash proof (IP66/67)



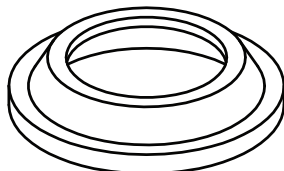
A	□	48,00 mm	B	∅	5,00 mm	C	∅	19,00 - 22,00 mm
D	H	4,00 mm						



Z	H	>= 100,00 mm		
---	---	--------------	--	--

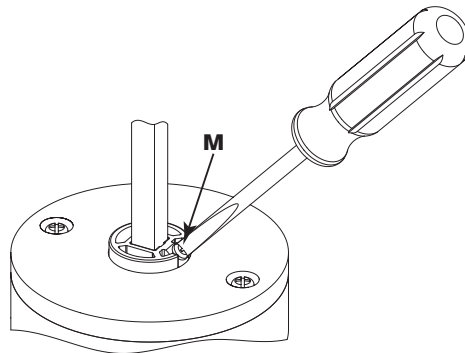


S2D V840 10



S3D V840 10

If S2 V840D or S2/S3 V845 will be applied with M280D, M280E or M280F, separately delivered parts S2D V840 10 resp. S3D V840 10 are not needed.



M	M̄	0,80 Nm		
---	----	---------	--	--

1. Loosen the screw
2. Move shaft
3. Tighten the screw

SHAFT EXTENSIONS
in special length for M004D

Designation: S1.M099D/000B385

GENERAL TECHNICAL INFORMATION**Recommended screw driver**

Type of screw driver	Value
Cross Screwdriver	PH1

PROTECTIVE COVER

for KA40-KA63BT, KG20-KG317, KH(R)32-KH(R)80 and KH85

Designation: K2.M160/4

Type of version: "4" cover for 4 pole switches

