



Sample image



Datasheet

Article number: 70018779

Designation: CA20.A292*NLB403.PF1

Description: Switch

IEC 60947-3 EN 60947-3, VDE 0660 Teil 107						
Rated insulation voltage Ui						
			Voltage (V) AC / DC			
			690 AC / DC			
Rated uninterrupted current Iu/Ith						
Current (A)	Ambient temperature (°C)	Peak temperature (°C)	additional requirements			
25	55	60	Ambient temperature +55°C during 24 hours with peaks up to +60°C			
Rated operational current Ie						
Utilization category			Voltage (V)		Current (A)	
AC-15			220 - 240		8	
AC-15			380 - 440		5	
Rated operational power						
Utilization category	Voltage (V)	No. of phases	No. of poles	Power (kW)		
AC-3	220 - 240	3	3	4		
AC-3	380 - 440	3	3	7,50		
AC-3	660 - 690	3	3	7,50		
AC-3	220 - 240	1	2	3		
AC-3	380 - 440	1	2	3,70		
AC-23A	220 - 240	3	3	5,50		
AC-23A	380 - 440	3	3	11		
AC-23A	660 - 690	3	3	11		
AC-23A	220 - 240	1	2	3		
AC-23A	380 - 440	1	2	5,50		
Max. Fuse rating IEC						
Fuse characteristic			No. of Fuses		Current (A)	
gG			1		35	
UL60947-4-1 , UL508						
Nominal Voltage						
			Voltage (V) AC / DC			
			600 AC			
Rated insulation voltage Ui						
			Voltage (V) AC / DC			
			600 AC			
Rated thermal current						
		Current (A)	Ambient temperature (°C)		Additional Text	
		30	0 - 40		-	
Horsepower rating						
Across-the-Line Motor Starting		Voltage (V)	No. of phases	No. of poles	Power (HP)	Ambient temperature [°C]
Reversing		110 - 120	1	2	0,33	40
Reversing		220 - 240	1	2	0,75	40
Reversing		277 - 277	1	2	1	40
Reversing		415 - 415	1	2	1,50	40
Reversing		440 - 480	1	2	2	40
Reversing		550 - 600	1	2	2	40
Reversing		110 - 120	3	3	1	40
Reversing		220 - 240	3	3	2	40
Reversing		415 - 415	3	3	3	40
Reversing		440 - 480	3	3	5	40
Reversing		550 - 600	3	3	5	40
DOL		110 - 120	1	2	1,50	40
DOL		220 - 240	1	2	3	40
DOL		277 - 277	1	2	3	40
DOL		415 - 415	1	2	3	40
DOL		440 - 480	1	2	5	40
DOL		550 - 600	1	2	5	40
DOL		110 - 120	3	3	3	40
DOL		220 - 240	3	3	7,50	40
DOL		415 - 415	3	3	7,50	40
DOL		440 - 480	3	3	10	40
DOL		550 - 600	3	3	10	40

Pilot duty rating code						
Duty Code						
A600						
SCCR / Max. fuse rating						
Conditions of acceptability						
These devices are suitable for use on circuits capable of delivering not more than 5000 rms symmetrical amperes, 600V ac max. when protected by Class RK1 fuses. Manual Motor Controllers when intended for use as a motor disconnect are suitable for use on a circuit capable of delivering not more than 5000 rms symmetrical amperes, 600V ac max. when protected by 30A Class J time delay fuses.						
Temp. rating of wire						
Temperature rating (°C)			Current (A) Text			
75			– Use copper wire only			
Connecting instructions						
Markings						
When intended for use as a motor disconnect the device shall be provided with a method of being locked in the OFF-position.						
General Use						
AC / DC	Voltage (V)	Current (A)	No. of phases	No. of poles	No. of contacts in series	
AC	600	30	1	2	1	
AC	600	30	3	3	1	
CSA						
Nominal Voltage						
			Voltage (V) AC / DC			
			600 AC			
Rated insulation voltage Ui						
			Voltage (V) AC / DC			
			600 AC			
Rated thermal current						
			Current (A)	Ambient temperature (°C) Additional Text		
			30	0 - 40 –		
Horsepower rating						
Across-the-Line Motor Starting						
	Voltage (V)	No. of phases	No. of poles	Power (HP)	Ambient temperature [°C]	
DOL	110 - 120	1	2	1,50	40	
DOL	220 - 240	1	2	3	40	
DOL	277 - 277	1	2	3	40	
DOL	415 - 415	1	2	5	40	
DOL	440 - 480	1	2	5	40	
DOL	550 - 600	1	2	5	40	
DOL	110 - 120	3	3	3	40	
DOL	220 - 240	3	3	7,50	40	
DOL	415 - 415	3	3	10	40	
DOL	440 - 480	3	3	10	40	
DOL	550 - 600	3	3	10	40	
Pilot duty rating code						
Duty Code						
A600						
Temp. rating of wire						
Temperature rating (°C)			Current (A) Text			
75			– only			
General Use						
AC / DC	Voltage (V)	Current (A)	No. of phases	No. of poles	No. of contacts in series	
AC	600	30	1	1	1	
GENERAL TECHNICAL INFORMATION						
Size of conductor						
composition of conductor	Min. / Max. value	No. of conductor per terminal	Cross section (mm ²) or (AWG/kcmil)		Material of the wire	
Solid wire	Min.		1	0.75mm ²	Copper	
Solid wire	Min.		2	0.75mm ²	Copper	
Flexible wire	Min.		1	1.5mm ²	Copper	
Flexible wire	Max.		2	AWG 12	Copper	
Flexible wire	Max.		2	4mm ²	Copper	
Flexible wire	Min.		2	1.5mm ²	Copper	
Single-core or stranded wire	Max.		2	AWG 10	Copper	
Single-core or stranded wire	Max.		2	4mm ²	Copper	
Flexible wire with ferrule according to DIN 46228	Min.		1	1mm ²	Copper	
Flexible wire with ferrule according to DIN 46228	Max.		2	2.5mm ²	Copper	
Flexible wire with ferrule according to DIN 46228	Min.		2	1mm ²	Copper	
Stripping length						
			Length (mm) –			
						
Recommended screw driver						
Type of screw driver			Value			
Cross Screwdriver			PH1			
Slot screwdriver according to DIN 5264			0,8x5,5			
Tightening torque of screws						
			tightening torque (Nm)		tightening torque (lb-in)	
			1		9	
Approbations						
Specification						Marking
CE marking						

Approbations	
Specification	Marking

UK Directives


**UK
CA**

General Information


Text

- Alleen koperleidingen met of zonder vertinde/verzilverde draden (per draad) gebruiken. Het nadien vertinnen van de uiteinden is niet toegestaan.
- Terminals with factory fitted jumper links are tightened during production for loss prevention. When opening the terminal clamps, make sure that no factory fitted links get lost and that all wire connections are properly seated.
- After wiring, ALL terminal screws must be tightened to the specified torque values.
- Het gebruik van een extra apparaat kan de beschermingsklasse van de gekozen bouwvorm beïnvloeden.
- Do not lubricate or treat contacts.
- Switches may only be mounted, connected and set into operation by qualified persons according to the accepted rules of technology.
- After installation of the switches the spacings between the terminals must be sufficient to fulfill the requirement of the applicable standards.

Waste Electrical & Electronic Equipment (WEEE)

Picture name	Description
	Do not throw in the trash as care must be taken to ensure environmentally sound disposal and recycling. Please either use an environmentally friendly waste disposal company; return to the supplier for disposal; or return direct to the manufacturer, Kraus & Naimer. You can find local Kraus & Naimer offices at www.krausnaimer.com

Proposition 65

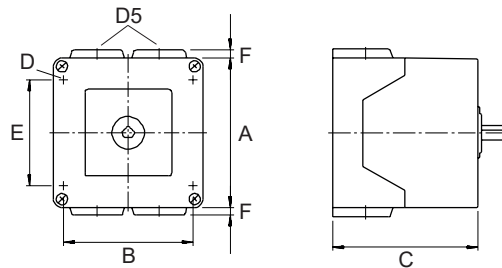
Picture name	Description
	WARNING: This product can expose you to chemicals including nickel and lead, which is known to the State of California to cause cancer. For more information go to www.P65Warnings.ca.gov .

Classification Contact: Rigid contact bridge

Classification Contact Mat: Silver

Classification Terminal: Screw terminal

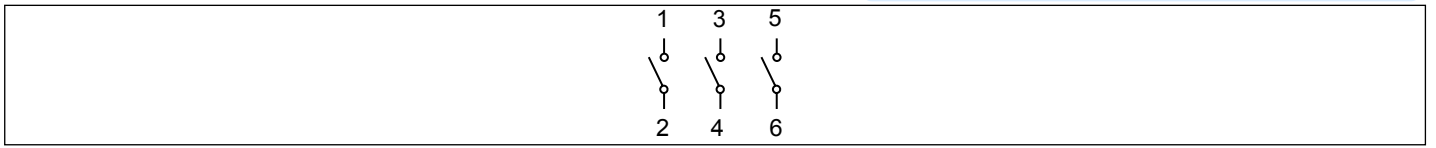
Mounting-PF1



IP - Code front side	IP65
Stages	1,00 - 2,00
A	□ 82,00 mm
B	H 68,00 mm
C	H 64,70 mm
D	∅ 4,40 mm
D5	∅ 4,00 x M20
E	H 52,00 mm
F	H 5,00 mm


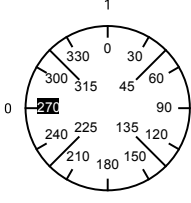
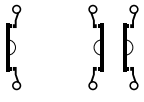
Wiring diagram

CA20.A292.PF1



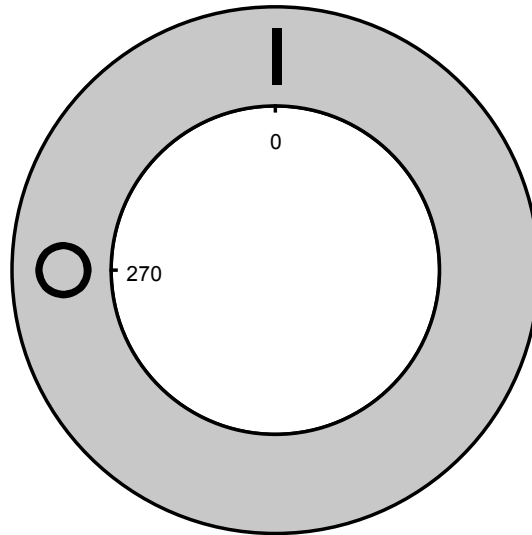
Switch program

CA20.A292.PF1

 Kraus & Naimer		CA20	A292										Page 1 of 1
Face Plate													
		1	3	5	7	9	11	13	15	17	19	21	23
													
Switching Angle <input type="text" value="90"/> Total switching Angle <input type="text" value="90"/>		2	4	6	8	10	12	14	16	18	20	22	24
0	270												
	285												
	300												
	315												
	330												
	345												
1	0												
	15												
	30												
	45												
	60												
	75												
	90												
	105												
	120												
	135												
	150												
	165												
	180												
	195												
	210												
	225												
	240												
	255												
		Jumpers 1 ● ●3 4 ● ●2 5 ● ○7 8 ○ ●6 9 ○ ○11 12 ○ ○10 13 ○ ○15 16 ○ ○14 17 ○ ○19 20 ○ ○18 21 ○ ○23 24 ○ ○22 25 ○ ○27 28 ○ ○26 29 ○ ○31 32 ○ ○30 33 ○ ○35 36 ○ ○34 37 ○ ○39 40 ○ ○38 41 ○ ○43 44 ○ ○42 45 ○ ○47 48 ○ ○46											
		Version: 87											

Face plate

S1.F456/C10.V11H





Sample image

PADLOCK DEVICE

with F-handle ring

Designation: S1.V840G/A71/C1

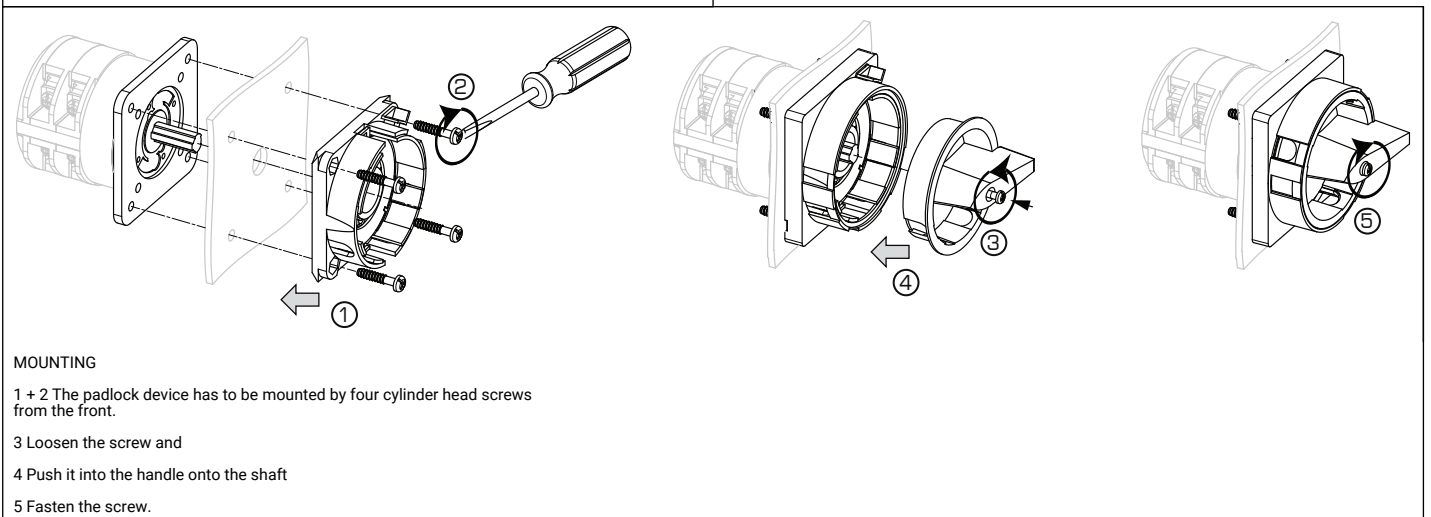
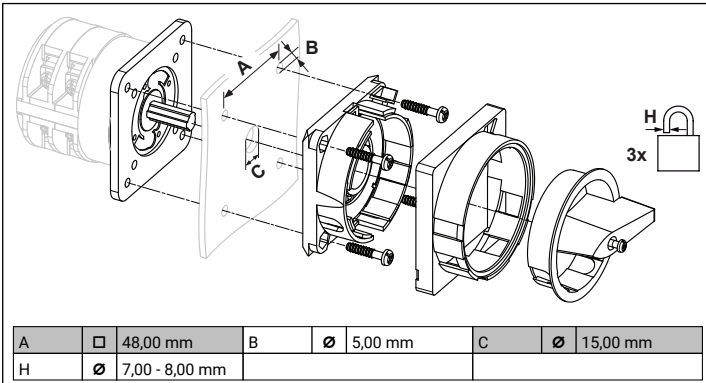
Colour of F-handle ring: "A" black

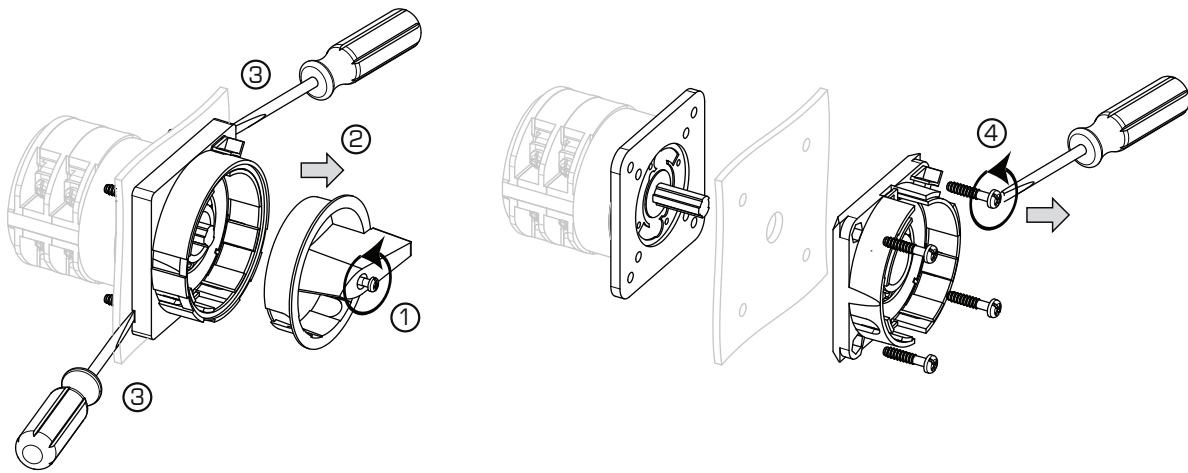
Colour of face ring: "7" electro-grey

Locking position: "1" at 270° (1x90°)

Type of mounting: "C" for type of mounting PN, PF, PFA-PFF

Switch type: "1" for C-switches and for KG10.





1 Loose handle screw

2 remove handle.

3 Insert a proper auxiliary tool at those points of the frame of the device which are marked by a screw driver on the drawing and remove the frame.

4 Fixing screws can be loosen now.