

Sample image





Datasheet

Article number: 70019101


Designation: KG20B.T104/09.VE

Description: Switch Global Disconnecter

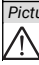
IEC 60947-3 EN 60947-3, VDE 0660 Teil 107						
Rated insulation voltage Ui						
Voltage (V) AC / DC						
690 AC						
Rated uninterrupted current Iu/Ith						
Current (A)	Ambient temperature (°C)	Peak temperature (°C)	additional requirements			
25	50	55	Ambient temperature +50°C during 24 hours with peaks up to +55°C			
Rated operational current Ie						
Utilization category						
AC-32A						
Voltage (V)						
20 - 400						
Rated operational power						
Utilization category	Voltage (V)	No. of phases	No. of poles	Power (kW)		
AC-3	220 - 240	3	3	4		
AC-3	380 - 440	3	3	5,50		
AC-3	660 - 690	3	3	5,50		
AC-23A	220 - 240	3	3	5,50		
AC-23A	380 - 440	3	3	7,50		
AC-23A	660 - 690	3	3	7,50		
Max. Fuse rating IEC						
Fuse characteristic						
gG						
No. of Fuses						
1						
Current (A)						
35						
UL60947-4-1, UL508						
Nominal Voltage						
Voltage (V) AC / DC						
600 AC						
Rated insulation voltage Ui						
Voltage (V) AC / DC						
600 AC						
Rated thermal current						
Current (A)						
25						
Ambient temperature (°C)						
0 - 40 -						
Horsepower rating						
Across-the-Line Motor Starting	Voltage (V)	No. of phases	No. of poles	Power (HP)	Ambient temperature [°C]	
DOL	110 - 120	1	2	1	40	
DOL	220 - 240	1	2	3	40	
DOL	277 - 277	1	2	3	40	
DOL	415 - 415	1	2	5	40	
DOL	440 - 480	1	2	5	40	
DOL	550 - 600	1	2	5	40	
DOL	110 - 120	3	3	2	40	
DOL	200 - 240	3	3	7,50	40	
DOL	415 - 415	3	3	10	40	
DOL	440 - 480	3	3	15	40	
DOL	550 - 600	3	3	20	40	
Pilot duty rating code						
Duty Code						
A600						
SCCR / Max. fuse rating						
Conditions of acceptability						
This device is suitable for use on circuits capable of delivering not more than 10kA rms symmetrical amperes, 600V ac max. when protected by Type RK1 fuses.						
Suitable for use on a circuit capable of delivering not more than 65000 rms symmetrical amperes at 600V max., when protected by 40A Class J fuses.						
Temp. rating of wire						
Temperature rating (°C)						
60 - 75						
Current (A) Text						
-- --						
General Use						
AC / DC	Voltage (V)	Current (A)	No. of phases	No. of poles	No. of contacts in series	
AC	277	25	1	1	1	
AC	600	25	1	2	1	
AC	600	25	3	3	1	
General Information						
Text						
- The operating handle and position indicating means to be used with these manual motor controllers should be provided from the manufacturer, or the operating handle and position indicating means to be used should have been previously evaluated in combination with the manual motor controllers.						

General Information						
<i>Text</i>						
- When intended for use as a motor disconnecter the device shall be provided with a method of being locked in the OFF-position.						
CSA						
Nominal Voltage						
Voltage (V) AC / DC 600 AC						
Rated insulation voltage Ui						
Voltage (V) AC / DC 600 AC						
Rated thermal current						
Current (A)		Ambient temperature (°C)		Additional Text		
25		0 - 40		-		
Horsepower rating						
Across-the-Line Motor Starting						
	Voltage (V)	No. of phases	No. of poles	Power (HP)	Ambient temperature [°C]	
DOL	110 - 120	1	2	1	40	
DOL	220 - 240	1	2	3	40	
DOL	277 - 277	1	2	3	40	
DOL	415 - 415	1	2	5	40	
DOL	440 - 480	1	2	5	40	
DOL	550 - 600	1	2	5	40	
DOL	110 - 120	3	3	2	40	
DOL	220 - 240	3	3	7,50	40	
DOL	415 - 415	3	3	10	40	
DOL	440 - 480	3	3	15	40	
DOL	550 - 600	3	3	20	40	
Pilot duty rating code						
<i>Duty Code</i>						
A600						
Temp. rating of wire						
Temperature rating (°C)			Current (A) Text			
75			-- --			
General Use						
AC / DC	Voltage (V)	Current (A)	No. of phases	No. of poles	No. of contacts in series	
AC	277	25	1	1	1	
AC	600	25	1	2	1	
AC	600	25	3	3	1	
GENERAL TECHNICAL INFORMATION						
Size of conductor						
composition of conductor	Min. / Max. value	No. of conductor per terminal	Cross section (mm ²) or (AWG/kcmil)		Material of the wire	
Flexible wire	Max.	1	AWG 10		Copper	
Flexible wire	Max.	1	4mm ²		Copper	
Single-core or stranded wire	Max.	1	6mm ²		Copper	
Single-core or stranded wire	Max.	1	AWG 10		Copper	
Flexible wire with sleeve	Max.	1	4mm ²		Copper	
Stripping length						
Length (mm) --						
						
Recommended screw driver						
Type of screw driver	Value					
Cross Screwdriver	PH2					
Slot screwdriver according to DIN 5264	0,8x4					
Tightening torque of screws						
tightening torque (Nm)				tightening torque (lb-in)		
1,25				11		
Approbations						
Specification	Marking					
CE marking						
UK Directives						
CSA C.22.2 No.14						
General Information						
<i>Text</i>						
- Alleen koperleidingen met of zonder vertinde/verzilverde draden (per draad) gebruiken. Het nadien vertinnen van de uiteinden is niet toegestaan.						
- EMC Note: This device is suitable for use in environment A and B.						
- Terminals with factory fitted jumper links are tightened during production for loss prevention. When opening the terminal clamps, make sure that no factory fitted links get lost and that all wire connections are properly seated.						
- After wiring, ALL terminal screws must be tightened to the specified torque values.						
- Het gebruik van een extra apparaat kan de beschermingsklasse van de gekozen bouwvorm beïnvloeden.						
- Do not lubricate or treat contacts.						
- Switches may only be mounted, connected and set into operation by qualified persons according to the accepted rules of technology.						

Waste Electrical & Electronic Equipment (WEEE)

Picture name Description
 Do not throw in the trash as care must be taken to ensure environmentally sound disposal and recycling. Please either use an environmentally friendly waste disposal company; return to the supplier for disposal; or return direct to the manufacturer, Kraus & Naimer. You can find local Kraus & Naimer offices at www.krausnaimer.com

Proposition 65

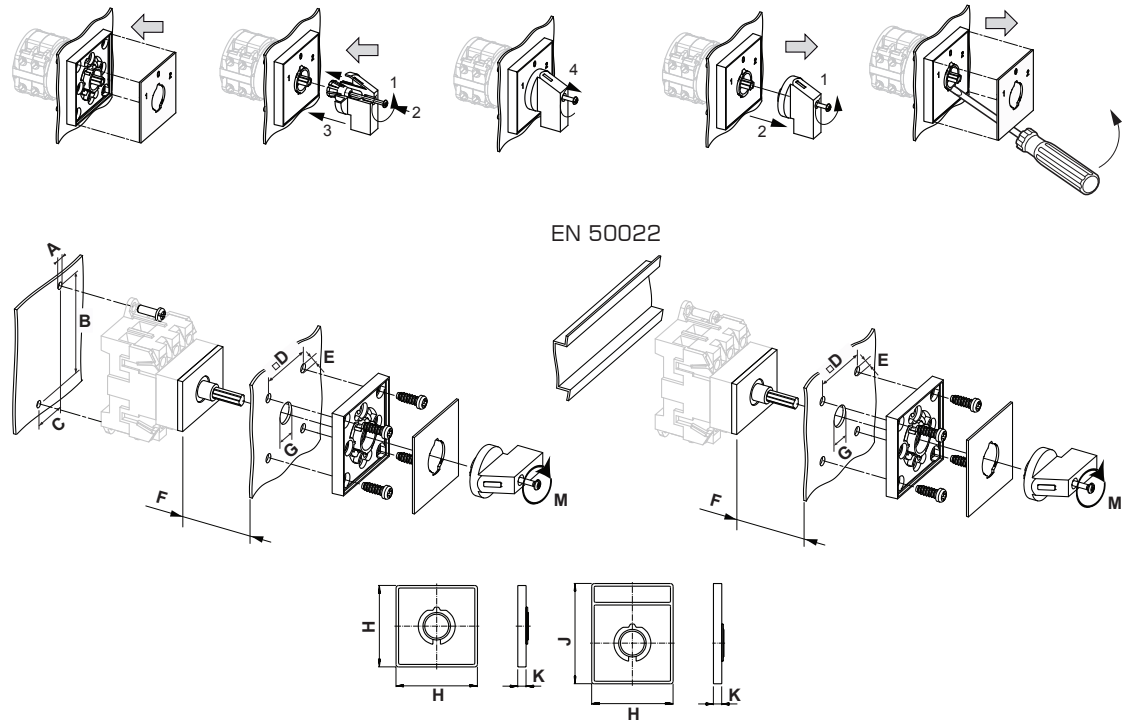
Picture name Description
 WARNING: This product can expose you to chemicals including nickel and lead, which is known to the State of California to cause cancer. For more information go to www.P65Warnings.ca.gov.

Classification Contact: Rigid contact bridge

Classification Contact Mat: Silver

Classification Terminal: Screw terminal

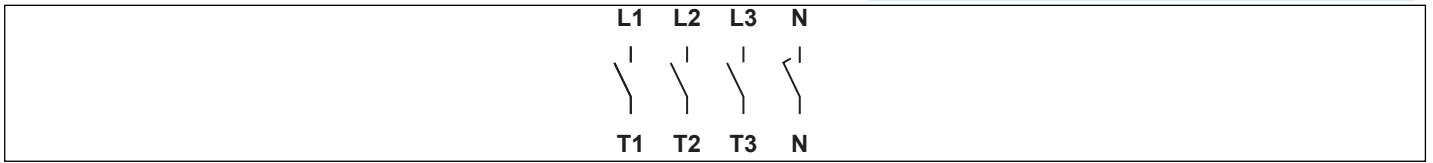
Mounting-VE



IP - Code front side	IP40
Stages	1,00 - 5,00
A	∅ 4,10 mm
B	H 60,00 mm
B_tol.	H ± 0,50 mm
C	H 22,50 mm
C_tol.	H ± 0,50 mm
D	□ 48,00 mm
E	∅ 5,00 mm
F	H ≤ 13,50 mm
G	∅ 10,00 - 15,00 mm
H	H 64,00 mm
J	H 78,00 mm
K	H 7,40 mm
M	↻ 0,70 Nm

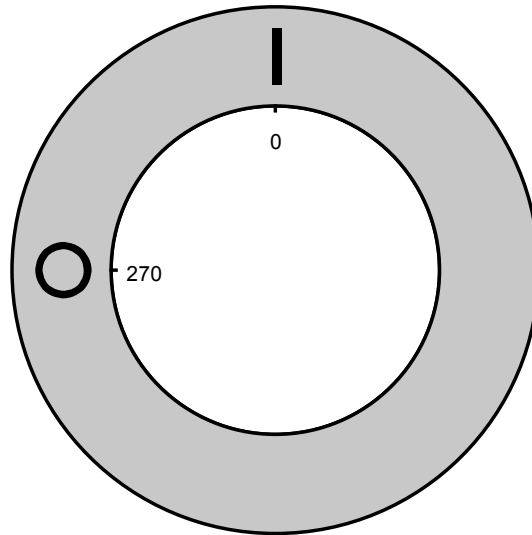
Wiring diagram

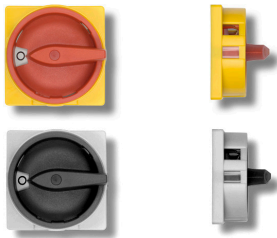
KG20B.T304.VE



Face plate

S1.F456/C10.V11H





Sample image

PADLOCK DEVICE

with F-handle ring

Designation: S1.V840G/A71/B2

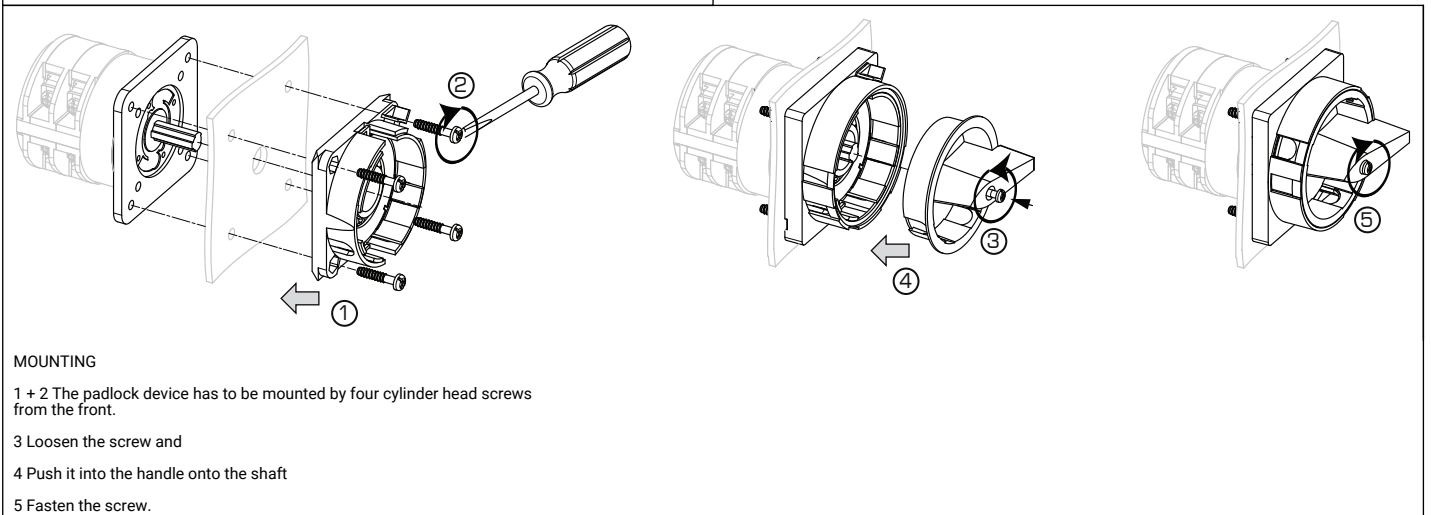
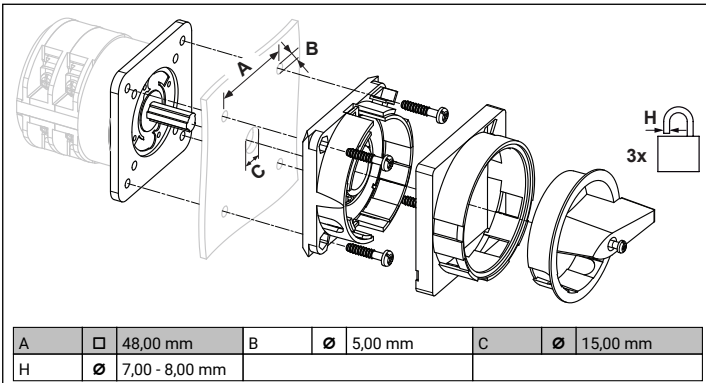
Colour of F-handle ring: "A" black

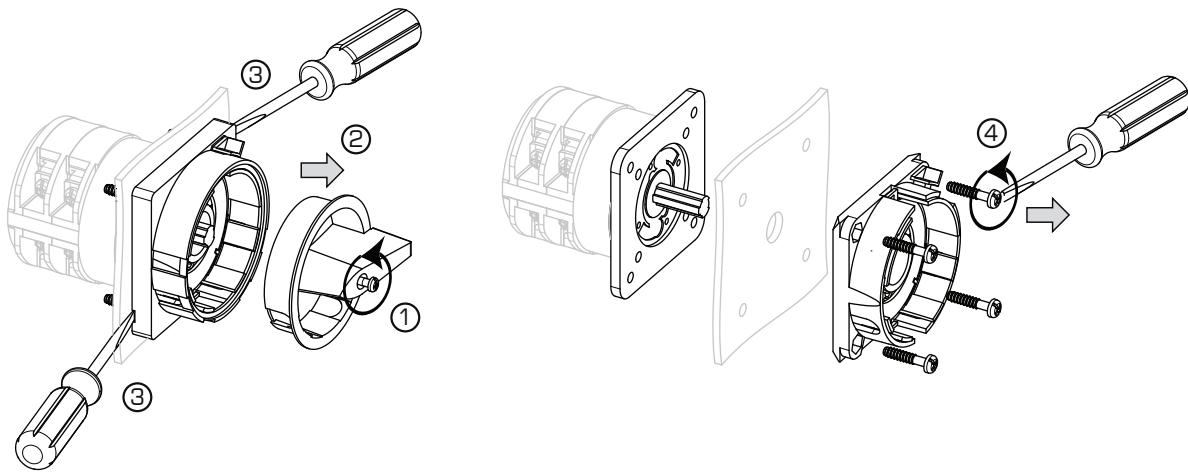
Colour of face ring: "7" electro-grey

Locking position: "1" at 270° (1x90°)

Type of mounting: "B" for type of mounting VE

Switch type: "2" for KA-, KG- and KH(R)-switches



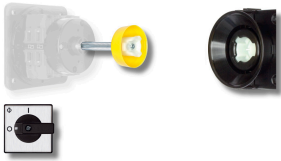


1 Loose handle screw

2 remove handle.

3 Insert a proper auxiliary tool at those points of the frame of the device which are marked by a screw driver on the drawing and remove the frame.

4 Fixing screws can be loosen now.



Sample image

STANDARD DOOR CLUTCH

with shaft extension/asymmetric profile (with arresting screw)

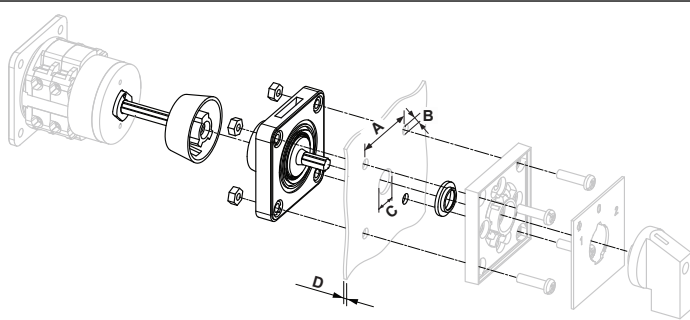
Designation: S1.M280E/B21S-EF/1

Type of interlock: "B2" with protected profile and interlock by door clutch

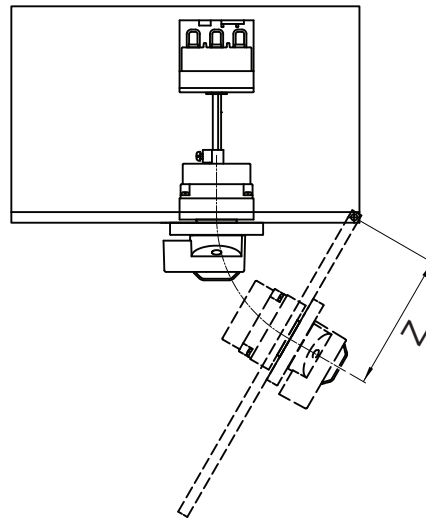
Shaft length: "1" 32 - 57 mm

Application: "S" for type of mounting VE

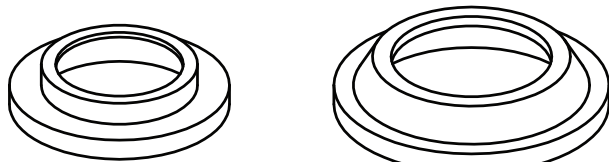
Type of version: "-EF/1" splash proof (IP66/67) for next smaller switch size



A	□	48,00 mm	B	∅	5,00 mm	C	∅	19,00 - 22,00 mm
D	H	4,00 mm						



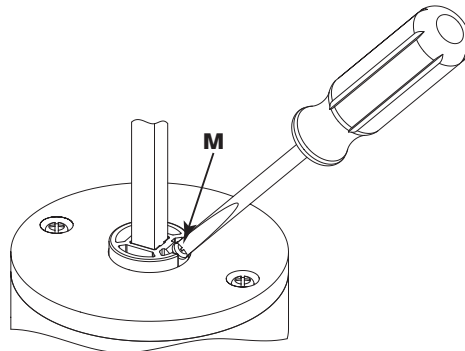
Z	H	>= 100,00 mm		
---	---	--------------	--	--



S2D V840 10

S3D V840 10

If S2 V840D or S2/S3 V845 will be applied with M280D, M280E or M280F, separately delivered parts S2D V840 10 resp. S3D V840 10 are not needed.



M	m	0,80 Nm		
---	---	---------	--	--

1. Loosen the screw
2. Move shaft
3. Tighten the screw

SHAFT EXTENSIONS
in special length for M004D

Designation: S0.M099D/000B140

GENERAL TECHNICAL INFORMATION

Recommended screw driver

Type of screw driver	Value
Cross Screwdriver	PH1