

Sample image

## Datasheet

**Article number:** 70025897  
**Designation:** CH10.A293.EF  
**Description:** Switch

<b>IEC 60947-3 EN 60947-3, VDE 0660 Teil 107</b>						
<b>Rated insulation voltage Ui</b>						
			Voltage (V) AC / DC			
			690 AC / DC			
<b>Rated uninterrupted current Iu/Ith</b>						
Current (A)	Ambient temperature (°C)		Peak temperature (°C)		additional requirements	
20	55		60		Ambient temperature +55°C during 24 hours with peaks up to +60°C	
<b>Rated operational current Ie</b>						
Utilization category			Voltage (V)		Current (A)	
AC-15			220 - 240		6	
AC-15			380 - 440		4	
<b>Rated operational power</b>						
Utilization category	Voltage (V)		No. of phases		No. of poles	
AC-3	220 - 240		3		3	
AC-3	380 - 440		3		3	
AC-3	660 - 690		3		3	
AC-3	220 - 240		1		2	
AC-3	380 - 440		1		2	
AC-23A	220 - 240		3		3	
AC-23A	380 - 440		3		3	
AC-23A	660 - 690		3		3	
AC-23A	220 - 240		1		2	
AC-23A	380 - 440		1		2	
<b>Max. Fuse rating IEC</b>						
Fuse characteristic			No. of Fuses		Current (A)	
gG			1		25	
<b>UL60947-4-1 , UL508</b>						
<b>Nominal Voltage</b>						
			Voltage (V) AC / DC			
			600 AC			
<b>Rated insulation voltage Ui</b>						
			Voltage (V) AC / DC			
			600 AC			
<b>Rated thermal current</b>						
		Current (A)	Ambient temperature (°C)		Additional Text	
		20	0 - 40		-	
<b>Horsepower rating</b>						
Across-the-Line Motor Starting			Voltage (V)	No. of phases	No. of poles	Power (HP)
DOL			110 - 120	1	2	0,50
DOL			220 - 240	1	2	1
DOL			277 - 277	1	2	2
DOL			440 - 480	1	2	2
DOL			550 - 600	1	2	2
DOL			110 - 120	3	3	1,50
DOL			220 - 240	3	3	3
DOL			440 - 480	3	3	5
DOL			550 - 600	3	3	5
<b>Pilot duty rating code</b>						
Duty Code						
A600						
<b>SCCR / Max. fuse rating</b>						
Conditions of acceptability						
These devices are suitable for use on circuits capable of delivering not more than 5kA rms symmetrical amperes, 600V ac max. when protected by Class RK1 fuses.						
<b>Temp. rating of wire</b>						
			Temperature rating (°C)	Current (A)		Text
			60 - 75			- Use copper wire only
<b>General Use</b>						
AC / DC	Voltage (V)	Current (A)	No. of phases	No. of poles	No. of contacts in series	
AC	277	20	1	1	1	
AC	600	20	1	2	1	

General Use						
AC / DC	Voltage (V)	Current (A)	No. of phases	No. of poles	No. of contacts in series	
AC	600	20	3	3	1	
CSA						
Nominal Voltage						
				Voltage (V)	AC / DC	
				600 AC		
Rated insulation voltage Ui						
				Voltage (V)	AC / DC	
				600 AC		
Rated thermal current						
		Current (A)	Ambient temperature (°C)		Additional Text	
		20	0 - 40		-	
Horsepower rating						
Across-the-Line Motor Starting	Voltage (V)	No. of phases	No. of poles	Power (HP)	Ambient temperature [°C]	
DOL	110 - 120	1	2	0,50	40	
DOL	220 - 240	1	2	1	40	
DOL	277 - 277	1	2	2	40	
DOL	440 - 480	1	2	2	40	
DOL	550 - 600	1	2	2	40	
DOL	110 - 120	3	3	1,50	40	
DOL	220 - 240	3	3	3	40	
DOL	440 - 480	3	3	5	40	
DOL	550 - 600	3	3	5	40	
Pilot duty rating code						
Duty Code						
A600						
Temp. rating of wire						
			Temperature rating (°C)	Current (A) Text		
			75	- -		
General Use						
AC / DC	Voltage (V)	Current (A)	No. of phases	No. of poles	No. of contacts in series	
AC	277	20	1	1	1	
AC	600	20	1	2	1	
AC	600	20	3	3	1	
GENERAL TECHNICAL INFORMATION						
Size of conductor						
composition of conductor	Min. / Max. value	No. of conductor per terminal	Cross section (mm <sup>2</sup> ) or (AWG/kcmil)		Material of the wire	
Solid wire	Min.	1	0.75mm <sup>2</sup>		Copper	
Solid wire	Min.	2	0.75mm <sup>2</sup>		Copper	
Flexible wire	Min.	1	0.75mm <sup>2</sup>		Copper	
Flexible wire	Min.	2	0.75mm <sup>2</sup>		Copper	
Flexible wire	Max.	2	AWG 12		Copper	
Flexible wire	Max.	2	2.5mm <sup>2</sup>		Copper	
Single-core or stranded wire	Max.	2	AWG 10		Copper	
Single-core or stranded wire	Max.	2	4mm <sup>2</sup>		Copper	
Flexible wire with ferrule according to DIN 46228	Min.	1	0.75mm <sup>2</sup>		Copper	
Flexible wire with ferrule according to DIN 46228	Min.	2	0.75mm <sup>2</sup>		Copper	
Flexible wire with ferrule according to DIN 46228	Max.	2	2.5mm <sup>2</sup>		Copper	
Stripping length						
Length (mm) --						
						
Recommended screw driver						
Type of screw driver				Value		
Cross Screwdriver				PH1		
Slot screwdriver according to DIN 5264				0,8x4		
Tightening torque of screws						
				tightening torque (Nm)	tightening torque (lb-in)	
				1	9	
Approbations						
Specification						Marking
CE marking						
UK Directives						
CSA C.22.2 No.14						
General Information						
Text						
- Alleen koperleidingen met of zonder vertinde/verzilverde draden (per draad) gebruiken. Het nadien vertinnen van de uiteinden is niet toegestaan.						
- Terminals with factory fitted jumper links are tightened during production for loss prevention. When opening the terminal clamps, make sure that no factory fitted links get lost and that all wire connections are properly seated.						
- After wiring, ALL terminal screws must be tightened to the specified torque values.						
- Het gebruik van een extra apparaat kan de beschermingsklasse van de gekozen bouwvorm beïnvloeden.						

### General Information

**Text**

- Do not lubricate or treat contacts.
- Switches may only be mounted, connected and set into operation by qualified persons according to the accepted rules of technology.
- After installation of the switches the spacings between the terminals must be sufficient to fulfill the requirement of the applicable standards.

### Waste Electrical & Electronic Equipment (WEEE)

**Picture name**

**Description**



Do not throw in the trash as care must be taken to ensure environmentally sound disposal and recycling. Please either use an environmentally friendly waste disposal company; return to the supplier for disposal; or return direct to the manufacturer, Kraus & Naimer. You can find local Kraus & Naimer offices at [www.krausnaimer.com](http://www.krausnaimer.com)

### Proposition 65

**Picture name**

**Description**



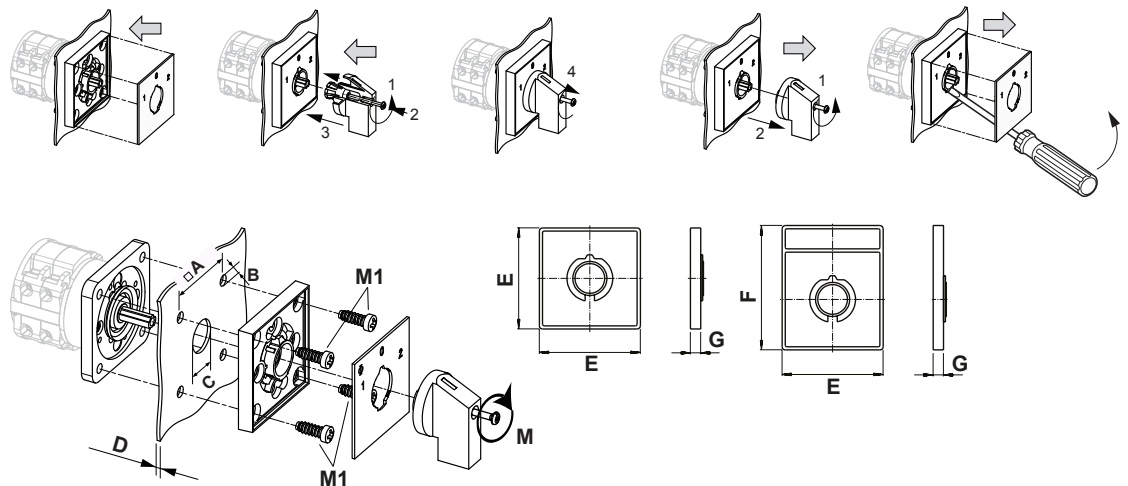
WARNING: This product can expose you to chemicals including nickel and lead, which is known to the State of California to cause cancer. For more information go to [www.P65Warnings.ca.gov](http://www.P65Warnings.ca.gov).

Classification Contact: Rigid contact bridge

Classification Contact Mat: Silver

Classification Terminal: Screw terminal

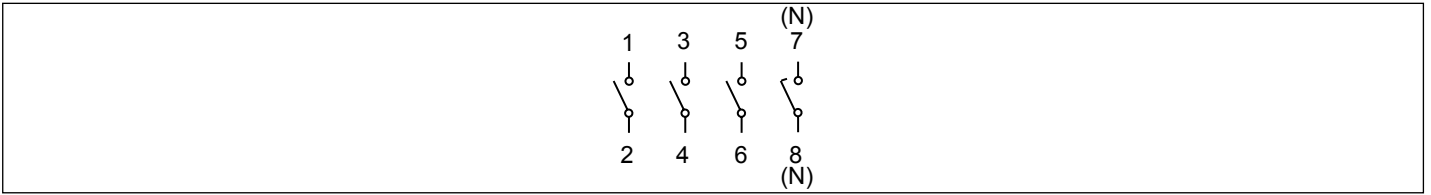
### Mounting-EF



IP - Code front side	IP66, IP67, IP69k
Stages	1,00 - 12,00
A	□ 36,00 mm
B	∅ 5,00 mm
C	∅ 15,00 - 19,00 mm
D	H ≤ 4,00 mm
E	H 48,00 mm
F	H 59,00 mm
G	H 6,70 mm
M	↺ 0,50 Nm
M1	↺ 0,90 Nm


## Wiring diagram

CH10.A293.EF



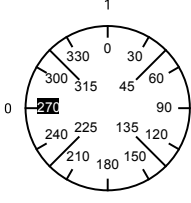
# Switch program

CH10.A293.EF



Kraus & Naimer

CH10	A293	E	Page 1 of 1
------	------	---	-------------

Face Plate													
	1	3	5	7	9	11	13	15	17	19	21	23	
Switching Angle <input style="width: 40px;" type="text" value="90"/> Total switching Angle <input style="width: 40px;" type="text" value="90"/>	2	4	6	8	10	12	14	16	18	20	22	24	
0													
270													
285													
300													
315													
330	█	█	█	█									
345													
1													
0	█	█	█	█									
15													
30													
45													
60													
75													
90													
105													
120													
135													
150													
165													
180													
195													
210													
225													
240													
255													

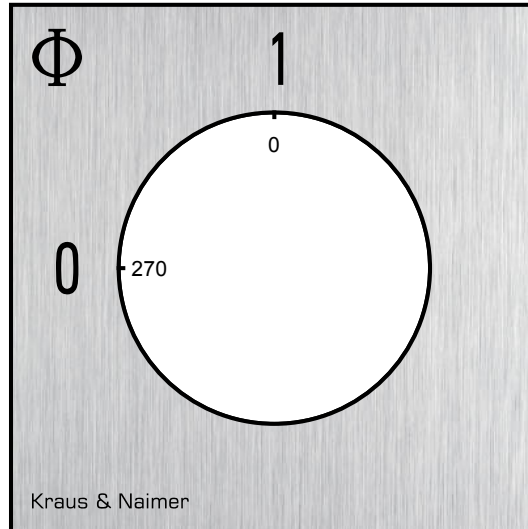
Jumpers

1 ●	● 3	4 ●	● 2
5 ●	● 7	8 ●	● 6
9 ○	○ 11	12 ○	○ 10
13 ○	○ 15	16 ○	○ 14
17 ○	○ 19	20 ○	○ 18
21 ○	○ 23	24 ○	○ 22
25 ○	○ 27	28 ○	○ 26
29 ○	○ 31	32 ○	○ 30
33 ○	○ 35	36 ○	○ 34
37 ○	○ 39	40 ○	○ 38
41 ○	○ 43	44 ○	○ 42
45 ○	○ 47	48 ○	○ 46

Version: 87

**Face plate**

S0.F056/A1B.PEL



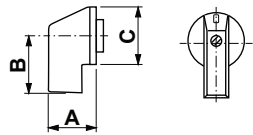
## HANDLES

**Designation:** SOC.G251  
**Handle colour:** "1" black

### GENERAL TECHNICAL INFORMATION

#### Recommended screw driver

Type of screw driver	Value
Cross Screwdriver	PH1
Slot screwdriver according to DIN 5264	0,8x4



A	22,00 mm	B	23,80 mm	C	27,60 mm
---	----------	---	----------	---	----------